



Pivot Spans

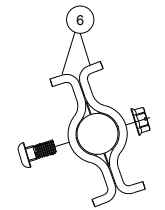
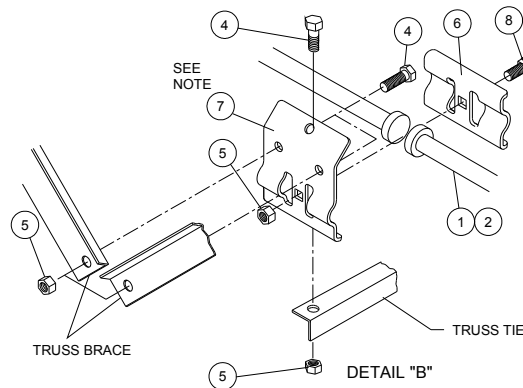
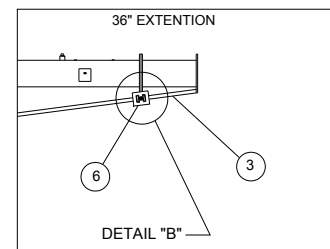
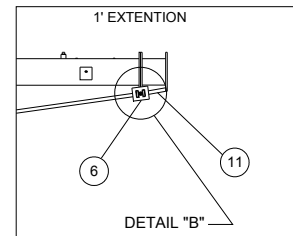
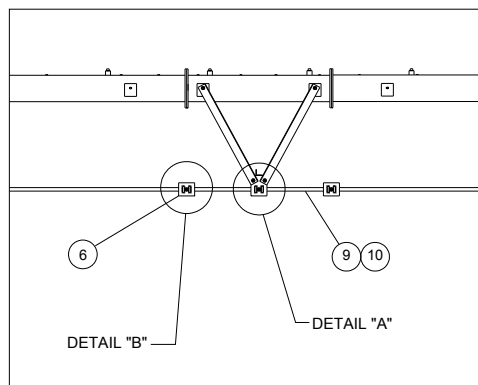
Rod Pockets

Rod Diameter

Length	Pipe Diameter				
	5 9/16	6 5/8	8	8-5/8	10
113'	11/16	11/16	11/16	11/16	11/16
135'	11/16	11/16	11/16	11/16	3/4
157'	11/16	11/16	11/16	3/4	
160'	11/16	11/16	3/4	3/4	
168'	11/16	11/16	3/4	3/4	
179'	11/16	11/16	3/4	3/4	
180'	11/16	11/16	3/4	3/4	
186'8"	11/16	11/16	3/4		
201'		3/4			

Truss Rods used for Extensions

Length	Pipe Diameter				
	5 9/16	6 5/8	8	8-5/8	10
1' Extension	11-0041-1	11-0041-1	11-0041-1	11-0041-1	
3' Extension	03-8249-9	03-8249-9	03-8249-9	03-8249-9	03-8249-9
7-8" Extension	10-8277-5	10-8277-5	10-8277-5		
11' Extension	10-8279-1	10-8279-1	10-8279-1	10-8279-1	



Ref.	Original Part No.	Substitute Part No.	Description
1	03-0337-0		Rod, Truss, Headed, 11/16"
2	03-6707-8		Rod, Truss, Headed, 3/4", Gr. 60
3	03-8249-9		Rod, Truss, Headed, 7/8" x 33-1/2"
4	06-0804-2		Screw, 1/2-13 x 1-1/4", Hex, Gr. 5
5	06-2418-9		Nut, 1/2-13, Lock
6	13-9996-0		Anchor, Rod, Gen II, Small
7	13-9995-0		Anchor, Rod, Gen II, Large
8	13-8996-0		Screw, 1/2-13 x 1-1/8", Car, Zinc
9	10-8277-5		Rod, Truss, Headed, 7/8" x 42-3/4"
10	10-8279-1		Rod, Truss, Headed, 7/8" x 63"

Ref.	Original Part No.	Substitute Part No.	Description
11	11-0041-1		Rod, Truss, Headed, 9-3/4" x 7/8"
12	11-6927-5		Rod, Truss, 11/16", Hot Dipped (International)
13	11-6928-3		Rod, Truss, 3/4", Gr. 60, Hot Dipped (International)
14	13-9748-0		Kit, Anchor Rod, 2 Pc, 201' Span
15	13-9255-0		Kit, Anchor Rod, 2 Pc, 179' Span
16	13-9254-0		Kit, Anchor Rod, 2 Pc, 157' Span
17	13-9253-0		Kit, Anchor Rod, 2 Pc, 135' Span
18	10-9336-8		Kit, Anchor Rod, 2 Pc, 113' Span