

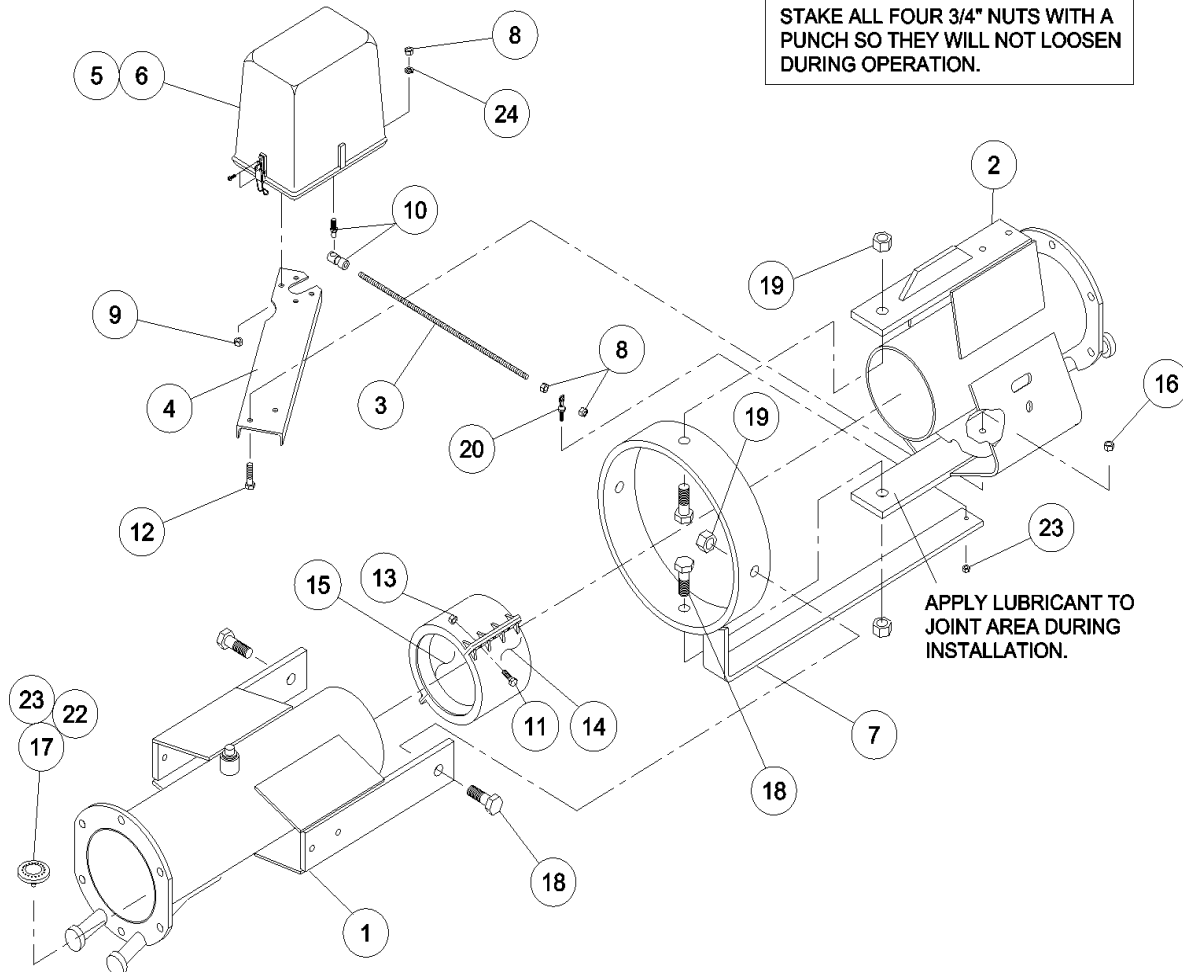


Pivot Joints

Joint Assembly, Solid, 5-9/16"

NOTE: INSERT SCREWS IN RING IN PROPER DIRECTION AS SHOWN. TIGHTEN SCREWS UP FULLY, THEN BACK OFF NUTS 1/4 TURN.

STAKE ALL FOUR 3/4" NUTS WITH A PUNCH SO THEY WILL NOT LOOSEN DURING OPERATION.



APPLY LUBRICANT TO JOINT AREA DURING INSTALLATION.

Ref.	Original Part No.	Substitute Part No.	Description
1	3-0699-3		Joint, Pivot End, 5-9/16", w/Outlet
2	3-0703-3		Joint, Tower End, 5-9/16", w/Anchor
3	03-1320-5		Rod, Linkage Con. 5/16-24x16"
4	3-6760-7		Mount, Tower Panel
5	03-7986-7		Panel, Tower Ctrl, Std, Adv. Align
6	03-7987-5		Panel, Tower Control, Next-Last, Adv. Align
7	04-6029-5		Ring, 5-9/16" Alignment
8	6-0240-9		Nut, 5/16-24, Hex
9	6-0262-3		Nut, 5/16-18, Lock, Nylon Insert
10	6-0470-2		Joint, Ball, Quick Disconnect
11	6-0802-6		Screw, 5/16-18 x 1", Hex
12	6-0803-4		Screw, 3/8-16 x 1-1/2", Hex, Gr. 5
13	6-0822-4		Nut, 5/16-18, Hex

Ref.	Original Part No.	Substitute Part No.	Description
14	6-3256-2		Coupler, Half, Zim, 5-9/16" x 6" Long
15	6-3257-0		Gasket, Boot, Zim, 5-9/16" x 5.63"
16	6-3419-6		Nut, 3/8-16, Flange, Toplock
17	6-3509-4		Plug, Drain, 20-75 PSI, Multi-Press. (Red)
18	6-4269-4		Screw, 3/4-10 x 1 1/2", Hex, Gr. 5
19	6-4270-2		Nut, 3/4-10, Jam, Toplock
20	6-4411-2		Joint, Adjuster, Ball Swivel
21	11-1244-0		Nut, 1/4-28, Lock, Nylon Insert
22	11-3324-8		Plug, Drain, 50-150 PSI, High-Press. (White)
23	11-3466-7		Plug, Drain, 5-30 PSI, Low-Press. (Black)
24	06-0812-5		Washer, Lock, 5/16"