

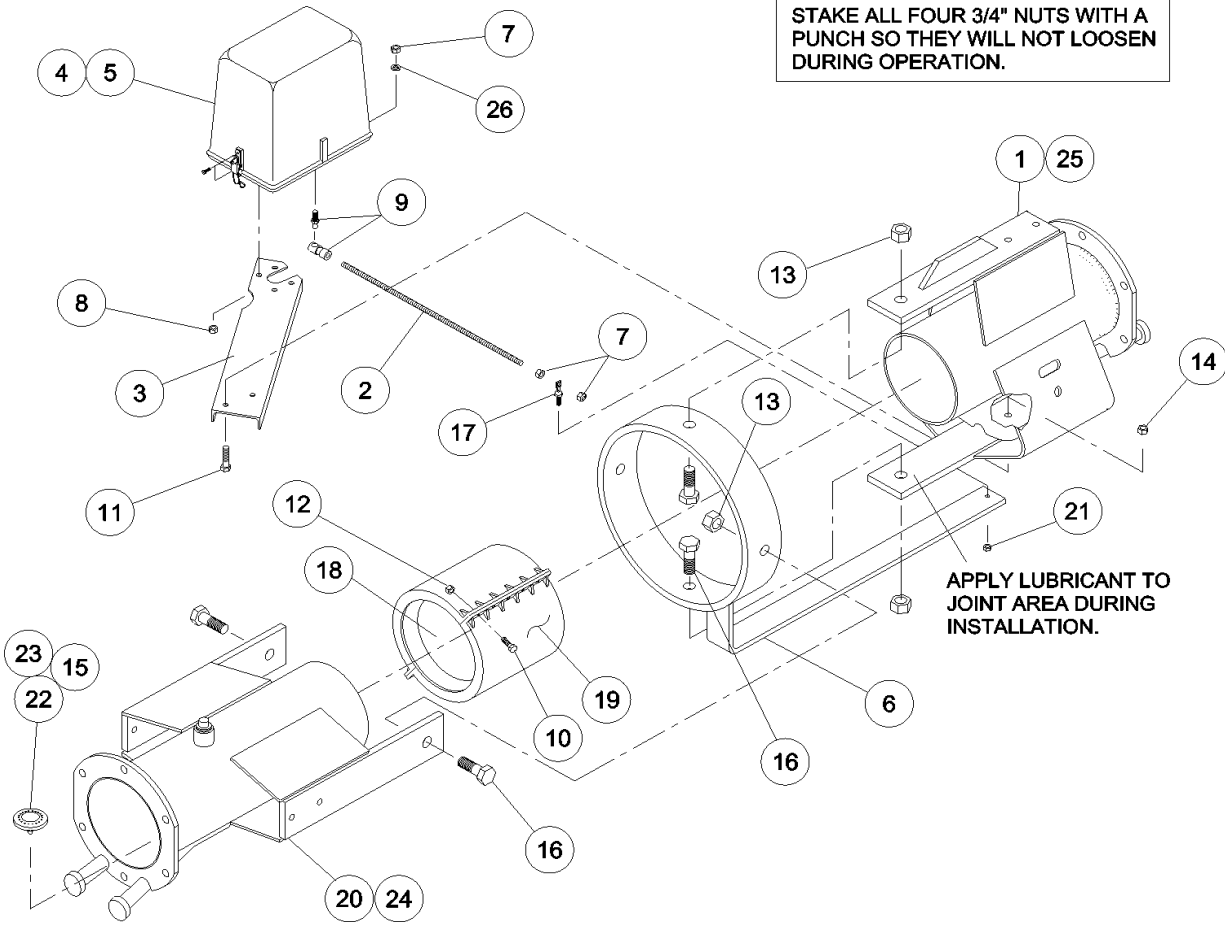


Pivot Joints

Joint Assembly, Reduction, 8-5/8" x 6-5/8", Solid (Galvanize & Stainless Steel)

NOTE: INSERT SCREWS IN RING IN PROPER DIRECTION AS SHOWN. TIGHTEN SCREWS UP FULLY.

STAKE ALL FOUR 3/4" NUTS WITH A PUNCH SO THEY WILL NOT LOOSEN DURING OPERATION.



APPLY LUBRICANT TO JOINT AREA DURING INSTALLATION.

Ref.	Part No.	Description
1	14-3783-0	Joint, Twr End, 8-5/8" x 6-5/8", w/Anchor
2	03-1320-5	Rod, Linkage Control 5/16-24x16"
3	03-6760-7	Mount, Tower Panel
4	03-7986-7	Panel, Tower Control, Std, Adv. Align
5	03-7987-5	Panel, Tower Ctrl, Next-Last, Adv. Align
6	04-6758-9	Ring, 6-5/8" Alignment
7	6-0240-9	Nut, 5/16-24, Hex, SS
8	6-0262-3	Nut, 5/16-18, Lock, Nylon Insert
9	6-0470-2	Joint, Ball, Quick Disconnect
10	6-0802-6	Screw, 5/16-18 x 1", Hex
11	6-0803-4	Screw, 3/8-16 x 1-1/2", Hex, Gr. 5
12	6-0822-4	Nut, 5/16-18, Hex
13	6-2417-1	Nut, 3/4-10, Lock

Ref.	Part No.	Description
14	6-3419-6	Nut, 3/8-16, Flange, Toplock
15	6-3509-4	Plug, Drain, 20-75 PSI, Multi-Press. (Red)
16	12-9175-0	Screw, 3/4-10 x 2" w/1.156 SHD, PLT
17	6-4411-2	Joint, Adjuster, Ball Swivel
18	6-4490-6	Gasket, Boot, 6-5/8"
19	6-4491-4	Coupler, Half, Zimmatic, 6-5/8"
20	11-0062-7	Joint, Pivot End, 6-5/8", w/Outlet
21	11-1244-0	Nut, 1/4-28, Lock, Nylon Insert
22	11-3324-8	Plug, Drain, 50-150 PSI, High-Press. (White)
23	11-3466-7	Plug, Drain, 5-30 PSI, Low-Press. (Black)
24	11-6098-5	Joint, Pivot End, 6-5/8", Stainless Steel
25	14-4551-0	Joint, Tower End, 8-5/8" x 6-5/8", S.S.
26	06-0812-5	Washer, Lock, 5/16"