

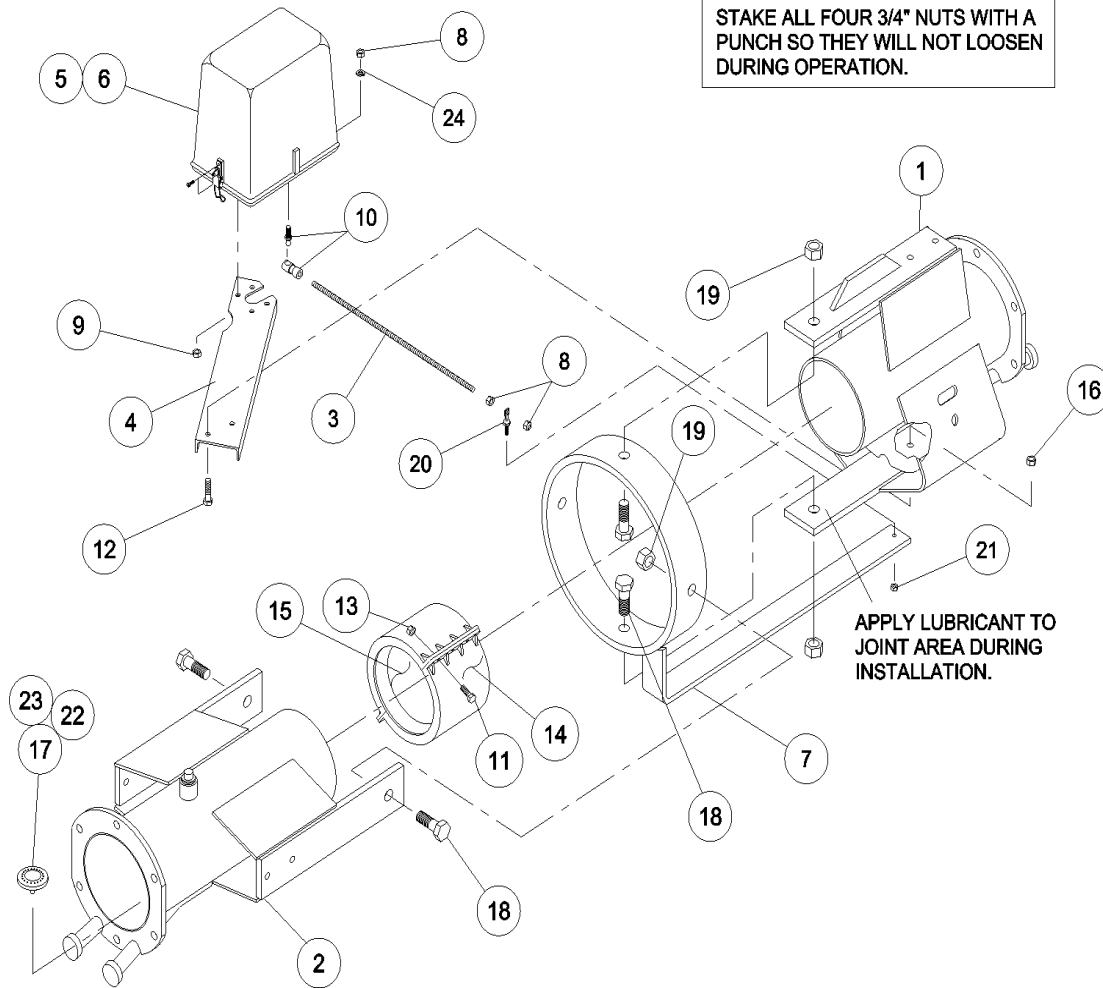


Pivot Joints

Joint Assembly, Reduction, Solid, 6-5/8" x 5-9/16", Beginning Serial #24912

NOTE: INSERT SCREWS IN RING IN PROPER DIRECTION AS SHOWN. TIGHTEN SCREWS UP FULLY, THEN BACK OFF NUTS 1/4 TURN.

STAKE ALL FOUR 3/4" NUTS WITH A PUNCH SO THEY WILL NOT LOOSEN DURING OPERATION.



APPLY LUBRICANT TO JOINT AREA DURING INSTALLATION.

Ref.	Original Part No.	Description
1	3-0695-1	Joint, Tower End, 6-5/8" x 5-9/16", w/Anchor
2	3-0699-3	Joint, Pivot End, 5-9/16", w/Outlet
3	03-1320-5	Rod, Linkage Control 5/16-24x16"
4	3-6760-7	Mount, Tower Panel
5	03-7986-7	Panel, Tower Control, Std, Adv. Align
6	03-7987-5	Panel, Tower Control, Next-Last, Adv. Align
7	04-6029-5	Ring, 5-9/16" Alignment
8	6-0240-9	Nut, 5/16-24, Hex
9	6-0262-3	Nut, 5/16-18, Lock, Nylon Insert
10	6-0470-2	Joint, Ball, Quick Disconnect
11	6-0802-6	Screw, 5/16-18 x 1", Hex
12	6-0803-4	Screw, 3/8-16 x 1-1/2", Hex, Gr. 5

Ref.	Original Part No.	Description
13	6-0822-4	Nut, 5/16-18, Hex
14	6-3256-2	Coupler, Half, Zimmatic, 5-9/16" x 6" Long
15	6-3257-0	Gasket, Boot, Zimmatic, 5-9/16" x 5.63"
16	6-3419-6	Nut, 3/8-16, Flange, Toplock
17	6-3509-4	Plug, Drain, 20-75 PSI, Multi-Press.(Red)
18	6-4269-4	Screw, 3/4-10 x 1-1/2" Hex, Gr. 5
19	6-4270-2	Nut, 3/4-10, Toplock, Jam, Hex
20	6-4411-2	Joint, Adjuster, Ball Swivel
21	11-1244-0	Nut, 1/4-28, Lock, Nylon Insert
22	11-3324-8	Plug, Drain, 50-150PSI, High-Press.(White)
23	11-3466-7	Plug, Drain, 5-30 PSI, Low-Press. (Black)
24	06-0812-5	Washer, Lock, 5/16"