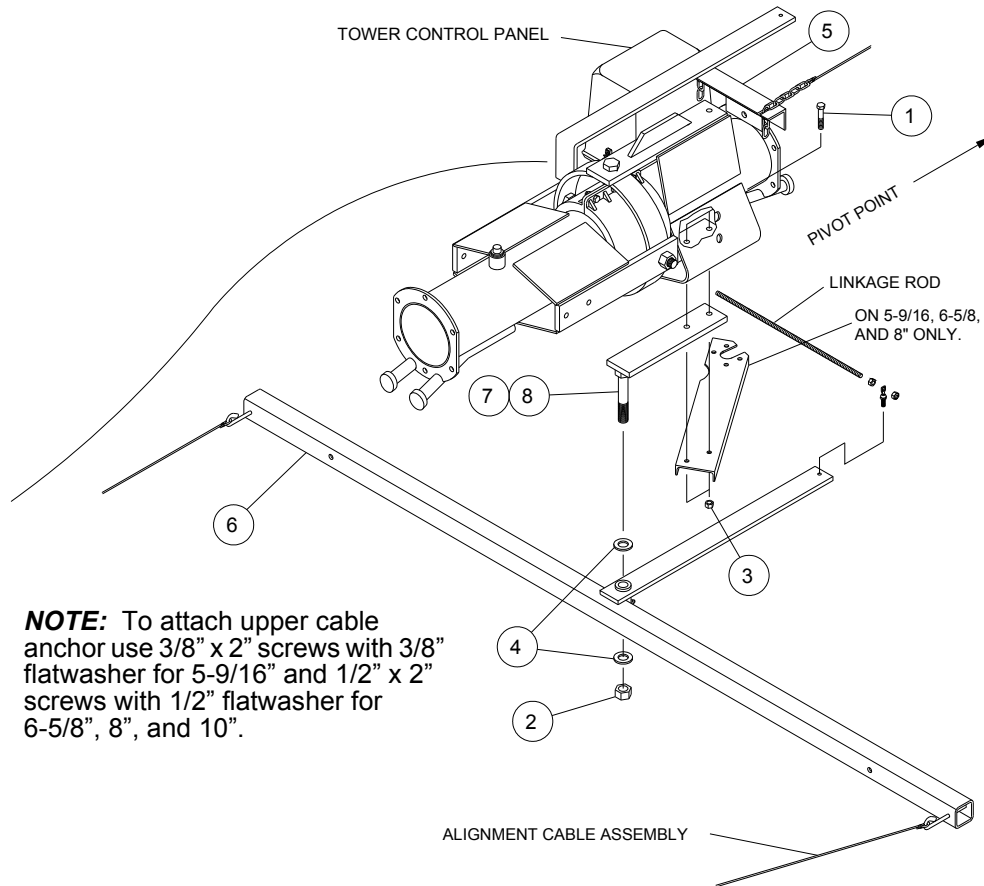




Pivot Joints

Wire Alignment



NOTE: To attach upper cable anchor use 3/8" x 2" screws with 3/8" flatwasher for 5-9/16" and 1/2" x 2" screws with 1/2" flatwasher for 6-5/8", 8", and 10".

Ref.	Original Part No.	Substitute Part No.	Description
1	06-1910-6		Screw, 3/8-16 x 2", Hex, Gr. 5
2	06-2417-1		Nut, 3/4-10, Lock
3	06-3419-6		Nut, 3/8-16, Flange, Toplock
4	06-4010-2		Washer, Flat, 3/4"
5	10-1551-0		Anchor, Align, Cable, Upper
6	10-1559-3		Arm Weldment, Wire Alignment
7	10-7621-5		Fulcrum Weldment, 5-9/16"
8	10-7619-9		Fulcrum Weldment, 6-5/8", 8", 10"
9	03-1018-5		Cable Assy, Align, 113' Span
10	14-8633-0		Cable Assy, Align, 113' Span, SS
11	06-4130-8		Cable Assy, Align, 135' Span
12	14-8634-0		Cable Assy, Align, 135' Span, SS
13	06-4129-0		Cable Assy, Align, 157' Span
14	14-8635-0		Cable Assy, Align, 157' Span, SS
15	11-4330-4		Cable Assy, Align, 168' Span
16	14-8636-0		Cable Assy, Align, 168' Span, SS
17	06-4131-6		Cable Assy, Align, 179' Span
18	14-8637-0		Cable Assy, Align, 179' Span, SS
19	11-4329-6		Cable Assy, Align, 186'8" Span
20	14-8638-0		Cable Assy, Align, 186'8" Span, SS
21	03-0375-0		Cable Assy, Align, 201' Span
22	14-8639-0		Cable Assy, Align, 201' Span, SS