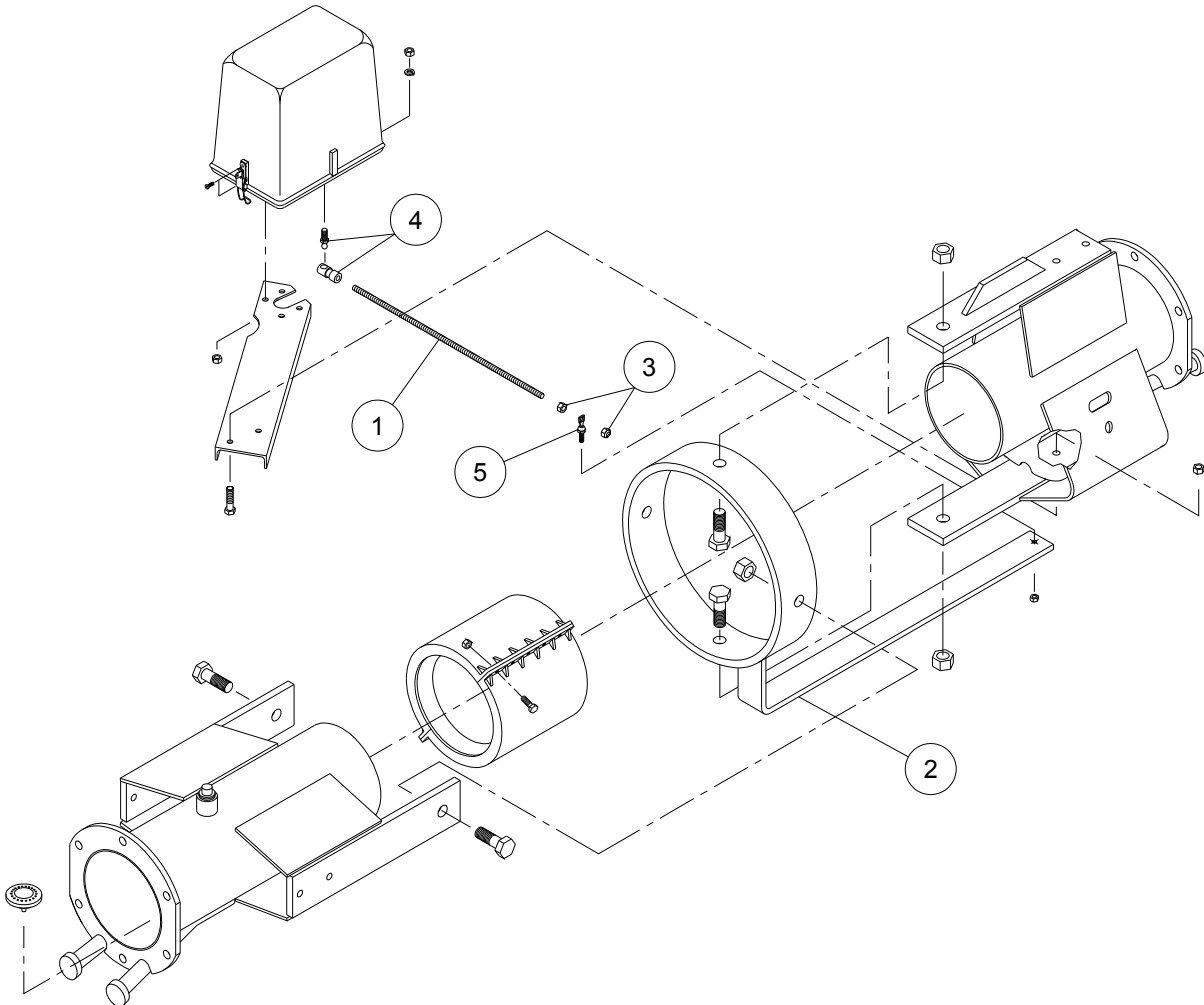


# Pivot Joints

## Standard System Alignment



Ref.	Original Part No.	Substitute Part No.	Description
1	03-1320-5		Rod, Linkage Control
2	04-6758-9		Ring, 6-5/8 Alignment
3	06-0240-9		Nut, 5/16-24, Hex
4	06-0470-2		Joint, Ball, Quick Disconnect
5	06-4411-2		Joint, Adjuster, Ball Swivel