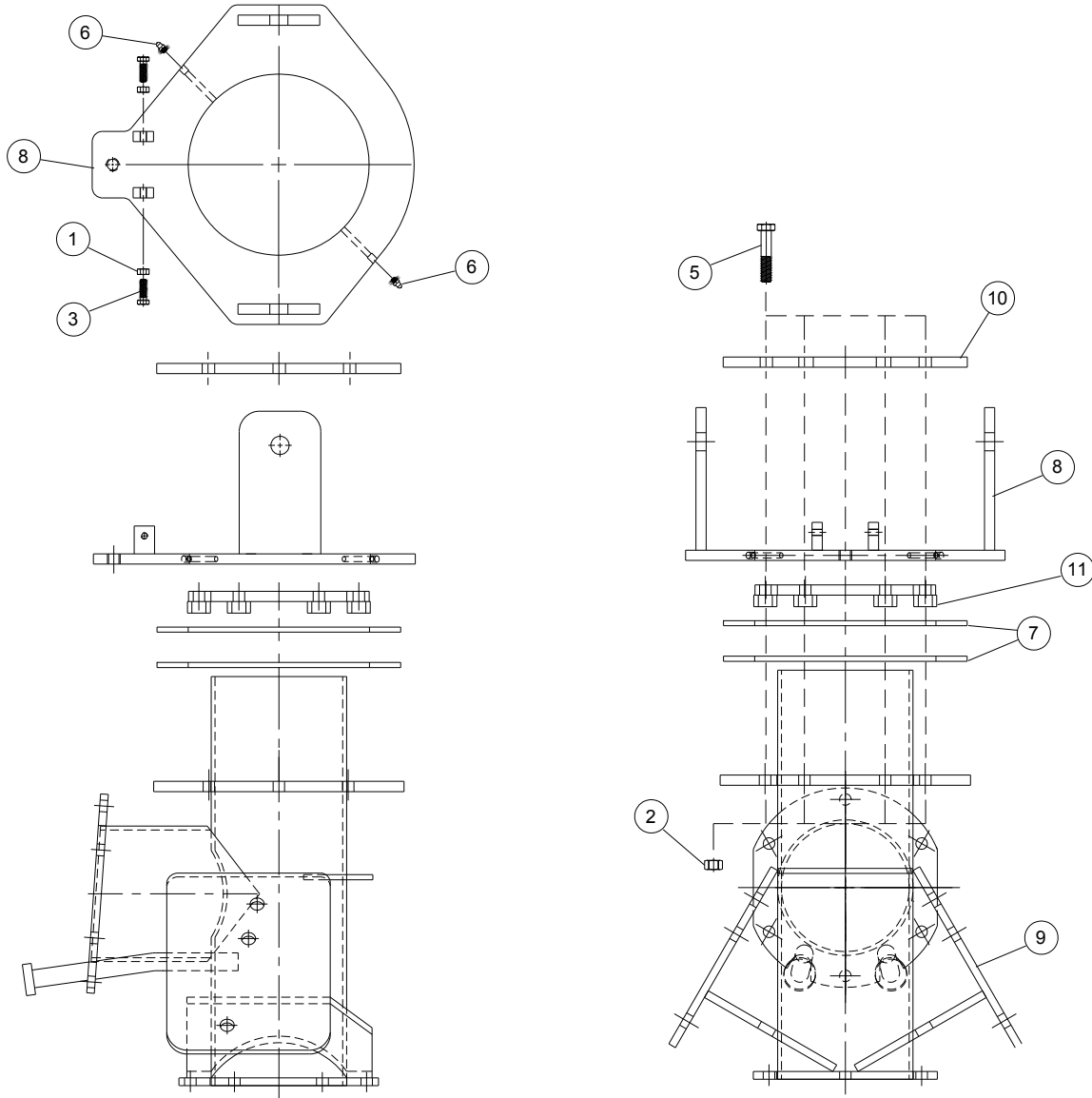




# Pivot Joints

## Joint Assembly, FieldPLUS



Ref.	Original Part No.	Substitute Part No.	Description
1	06-0822-4		Nut, 5/16-18", Hex
2	06-2418-9		Nut, Lock, 1/2-13
3	06-3358-6		Screw, 5/16-18 x 1-1/4", Hex, Gr. 5
4	10-3135-0		JD, Grease, Multi-Purpose
5	10-5771-0		Screw, 1/2-13 x 3", Hex, Gr. 8
6	11-0470-2		Zerk, 5/16", Drive-In
7	11-7139-6		Bearing, Joint Assembly
8	11-7141-2		Coupler Bar Weldment, Vertical
9	11-7145-3		Joint Weldment, Pivoting Tower
10	11-7148-7		Plate, Holding
11	12-2781-0		Weldment, Centering Flange