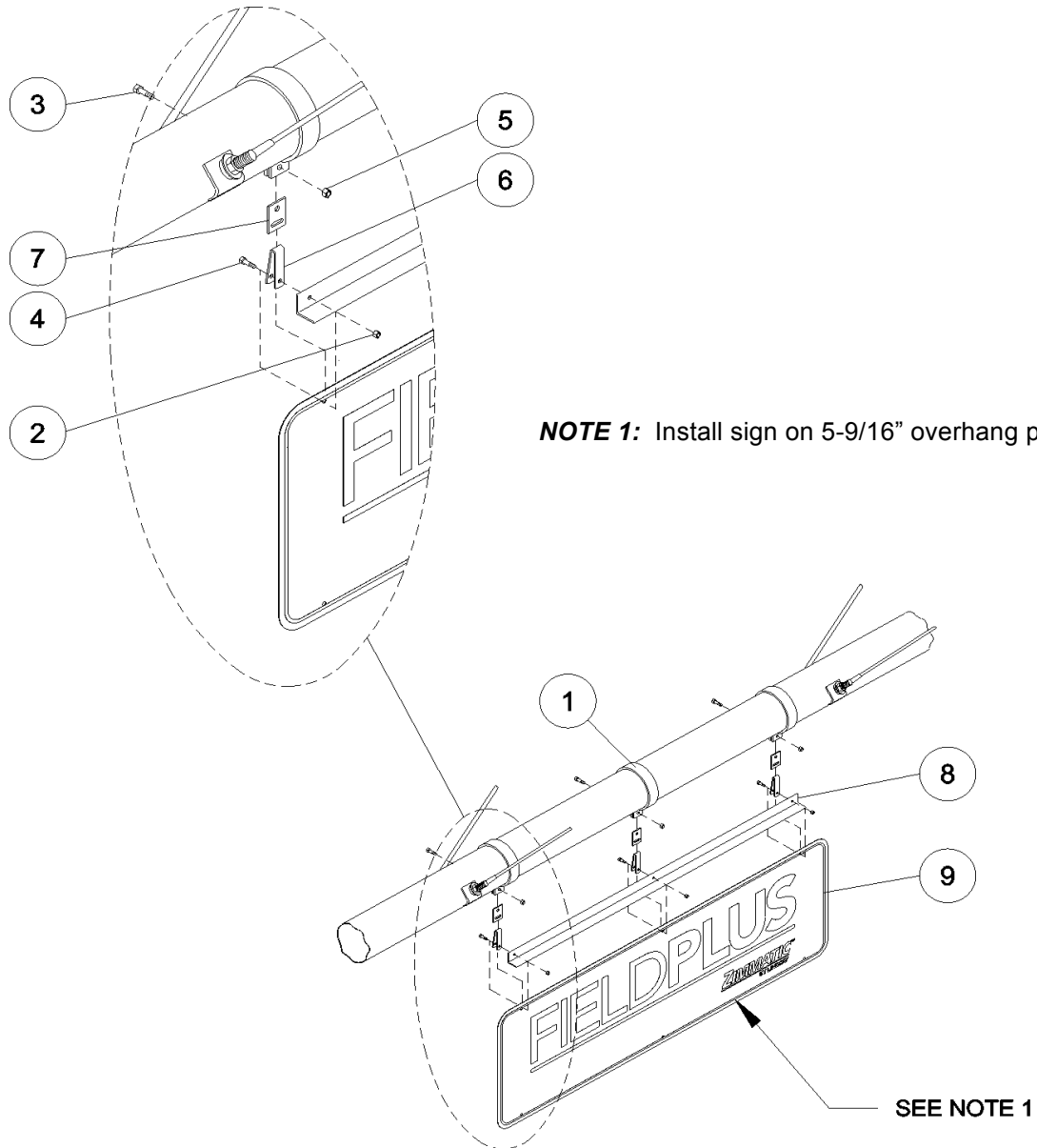




Pivot Joints

Installation, Overhang Sign Assembly, FieldPLUS



Ref.	Original Part No.	Substitute Part No.	Description
1	3-0177-0		Strap, Sign Mount, 5-9/16"
2	6-2419-7		Nut, 1/4-20, Lock
3	6-3358-6		Screw, 5/16-18 x 1-1/4", Hex, Gr. 5
4	6-3936-9		Screw, 1/4-20 x 1", Hex, Gr. 5
5	6-4364-3		Nut, 5/16-18, Lock
6	10-7379-0		Clevis, Sign
7	10-7380-8		Hanger, Sign
8	10-9598-3		Bracket, Sign
9	16-0018-3		Sign, Overhang, FieldPLUS