

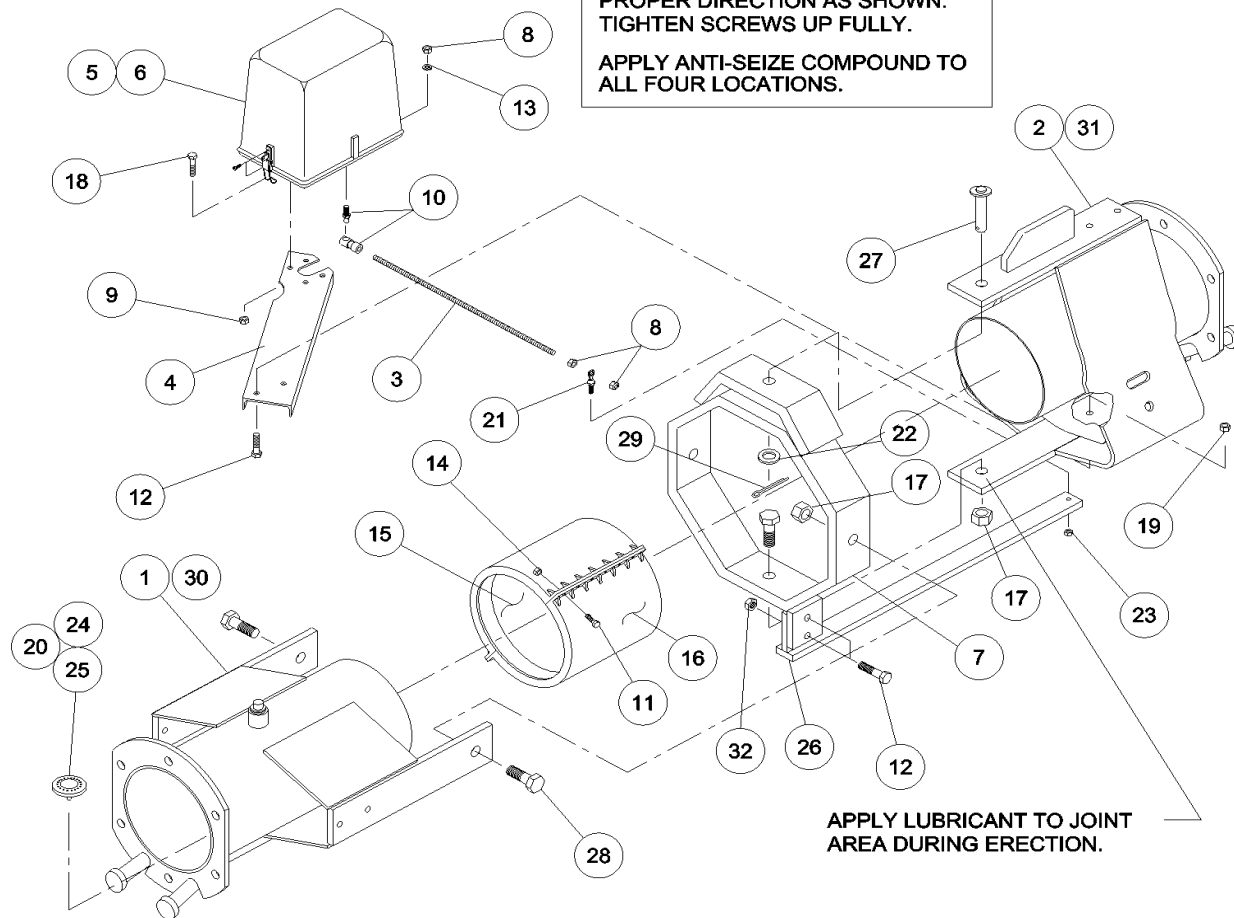


# Pivot Joints

## Joint Assembly, Solid, 8-5/8" Galvanized & Stainless Steel

NOTE: INSERT SCREWS IN RING IN PROPER DIRECTION AS SHOWN. TIGHTEN SCREWS UP FULLY.

APPLY ANTI-SEIZE COMPOUND TO ALL FOUR LOCATIONS.



APPLY LUBRICANT TO JOINT AREA DURING ERECTION.

Ref.	Part No.	Description
1	14-3779-0	Joint, Pivot End, 8-5/8", w/Outlet
2	14-3770-0	Joint, Tower End, 8-5/8"
3	3-1320-5	Rod, Linkage Control
4	3-6760-7	Mount, Tower Panel
5	3-7986-7	Panel, Tower Control, Std, 10 Wire
6	3-7987-5	Panel, Tower Control, Next-Last, 10 Wire
7	4-6814-0	Ring, 8", Octagon
8	6-0240-9	Nut, 5/16-24, Hex
9	6-0262-3	Nut, 5/16-18, Lock, Nylon Insert
10	6-0470-2	Joint, Ball, Quick Disconnect
11	6-0802-6	Screw, 5/16-18 x 1", Hex
12	6-0803-4	Screw, 3/8-16 x 1-1/2", Hex, Gr. 5
13	6-0812-5	Washer, Lock, 5/16"
14	6-0822-4	Nut, 5/16-18, Hex
15	14-4313-0	Gasket, Boot, Zimmatic, 8-5/8"
16	14-4314-0	Coupler, Half, Zimmatic, Split, 8-5/8"
17	6-2417-1	Nut, 3/4-10, Lock
18	6-3146-5	Screw, 5/16-18 x 1-1/2", Hex, Gr. 5

Ref.	Part No.	Description
19	6-3419-6	Nut, 3/8-16, Flange, Toplock
20	6-3509-4	Plug, Drain, 20-75 PSI, Multi-Press.(Red)
21	6-4411-2	Joint, Adjuster, Ball Swivel
22	10-2876-0	Washer, Flat, 3/4"
23	11-1244-0	Nut, 1/4-28, Lock, Nylon Insert
24	11-3324-8	Plug, Drain, 50-150PSI, High-Press.(White)
25	11-3466-7	Plug, Drain, 5-30 PSI, Low-Press. (Black)
26	11-7705-4	Arm, Weldment, Alignment
27	11-7707-0	Pin, 3/4" Dia., Plated
28	11-7710-4	Screw, 3/4-10 x 2", Controlled
29	11-7712-0	Pin, Cotter, .125" x 1-3/4", Plated
30	14-4550-0	Joint, Pivot End, 8-5/8", S.S.
31	16-0041-4	Joint, Tower End, 8-5/8", S.S.
32	06-2420-5	Nut, 3/4-10, Lock
33	03-2766-8	Kit, Tower Box Linkage Replacement (Items 8, 11, 21, and 23)
34	13-3038-0	Kit, Control Rod & Linkage (Items 3, 8, 21 & 23)
35	10-1726-8	Kit, Control Rod (Items 8, 21 & 23)