

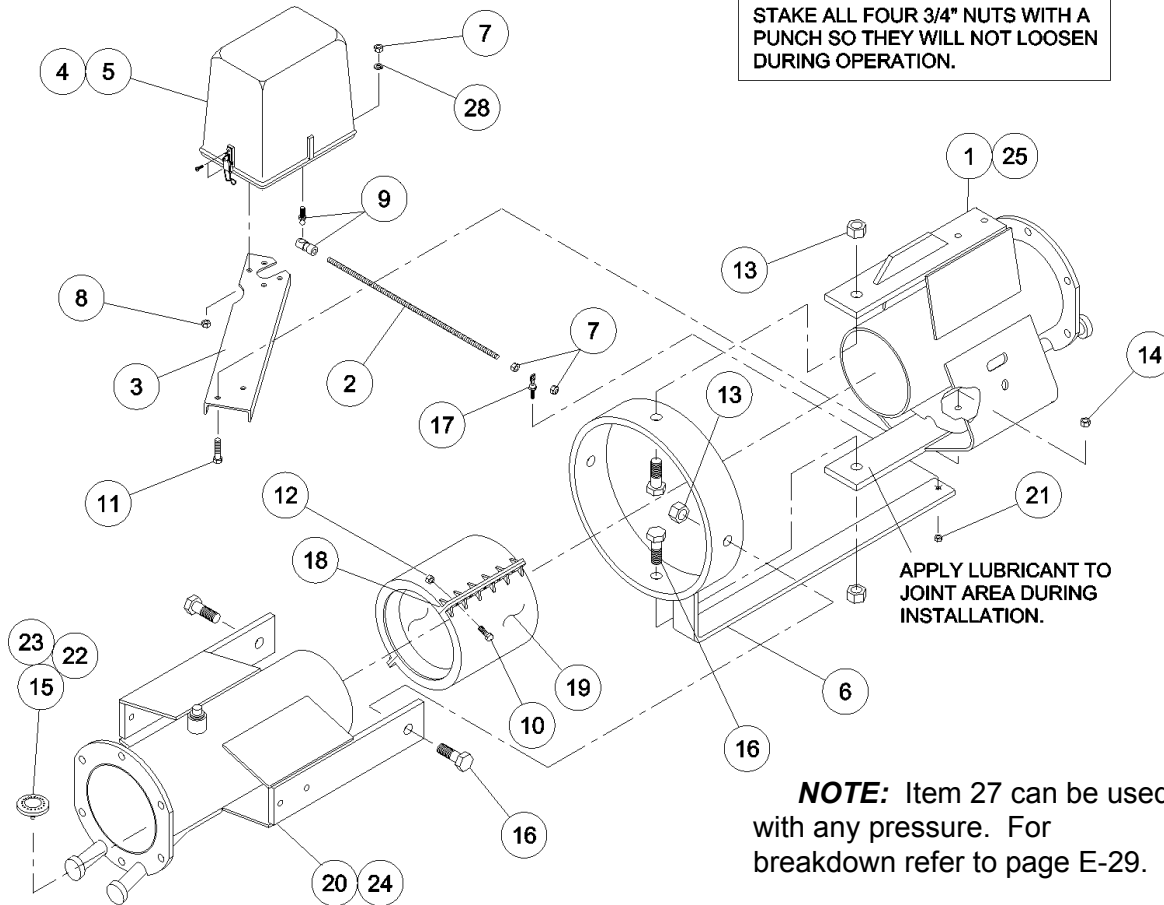


Pivot Joints

Joint Assembly, Solid, 6-5/8" (Galvanize & Stainless Steel)

NOTE: INSERT SCREWS IN RING IN PROPER DIRECTION AS SHOWN. TIGHTEN SCREWS UP FULLY, THEN BACK OFF NUTS 1/4 TURN.

STAKE ALL FOUR 3/4" NUTS WITH A PUNCH SO THEY WILL NOT LOOSEN DURING OPERATION.



APPLY LUBRICANT TO JOINT AREA DURING INSTALLATION.

NOTE: Item 27 can be used with any pressure. For breakdown refer to page E-29.

Ref.	Original Part No.	Substitute Part No.	Description
1	03-0692-8		Joint, Tower End, 6-5/8", w/Anchor
2	03-1320-5		Rod, Linkage Con. 5/16-24x16"
3	03-6760-7		Mount, Tower Panel
4	03-7986-7		Panel, Tower Ctrl, Std, Adv. Align
5	03-7987-5		Panel, Tower Ctrl, N-L, Adv. Align
6	04-6758-9		Ring, 6-5/8" Alignment
7	06-0240-9		Nut, 5/16-24, Hex
8	06-0262-3		Nut, 5/16-18, Lock, Nylon Insert
9	06-0470-2		Joint, Ball, Quick Disconnect
10	06-0802-6		Screw, 5/16-18 x 1", Hex
11	06-0803-4		Screw, 3/8-16 x 1-1/2", Hex, Gr. 5
12	06-0822-4		Nut, 5/16-18, Hex
13	06-2417-1		Nut, 3/4-10, Lock
14	06-3419-6		Nut, 3/8-16, Flange, Top Lock
15	06-3509-4		Plug, Drain, 20-75 PSI, Multi-Prs, Red

Ref.	Original Part No.	Substitute Part No.	Description
16	12-9175-0		Screw, 3/4-10 x 2", w/1.156 SHD PLT
17	06-4411-2		Joint, Adjuster, Ball Swivel
18	06-4490-6		Gasket, Boot, 6-5/8"
19	06-4491-4		Coupler, Half, Zimmatic, 6-5/8"
20	11-0062-7		Joint, Pivot End, 6-5/8", w/Outlet
21	11-1244-0		Nut, 1/4-28, Lock, Nylon Insert
22	11-3324-8		Plug, Drain, 50-150 PSI, Hi-Prs. (Wh)
23	11-3466-7		Plug, Drain, 5-30 PSI, Low-Prs (Blk)
24	11-6098-5		Joint, Pivot End, 6-5/8, w/Anchor SS
25	11-6099-3		Joint, Tower End, 6-5/8, w/Anc, SS
26	13-3038-0		Kit, Control Rod and Linkage (Items 2, 7, 17 and 21)
27	14-2643-0		Drain Assembly, Pivot (Optional)
28	06-0812-5		Washer, Lock, 5/16"