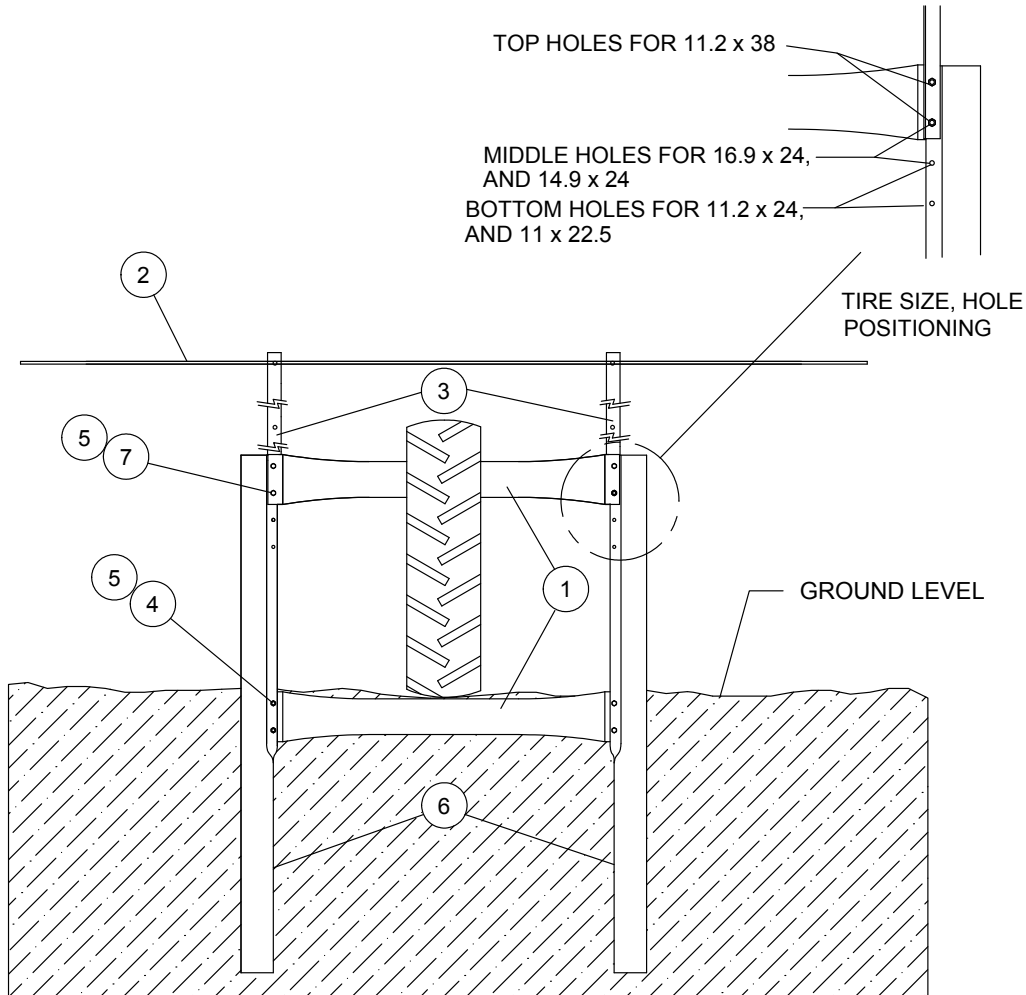


# Tower/Drive Tube Assembly

## Barricade Installation (Sept. 2005 - Present)



Ref.	Part No.	Description
1	03-5388-8	Tube, Horiz. C Fence
2	04-5205-2	Rod, Safety Trip, 10' Long, Galv.
3	04-5206-0	Bracket, Safety Trip, 52" Long
4	06-0804-2	Screw, 1/2-13 x 1-1/4", Hex, Gr. 5
5	06-2418-9	Nut, 1/2-13, Lock
6	13-3799-0	Post, Barricade, Vertical
7	26-0760-4	Screw. 1/2-13 x 1-1/2", Gr. 5

**NOTE:** Barricade must be assembled prior to installing in the ground.