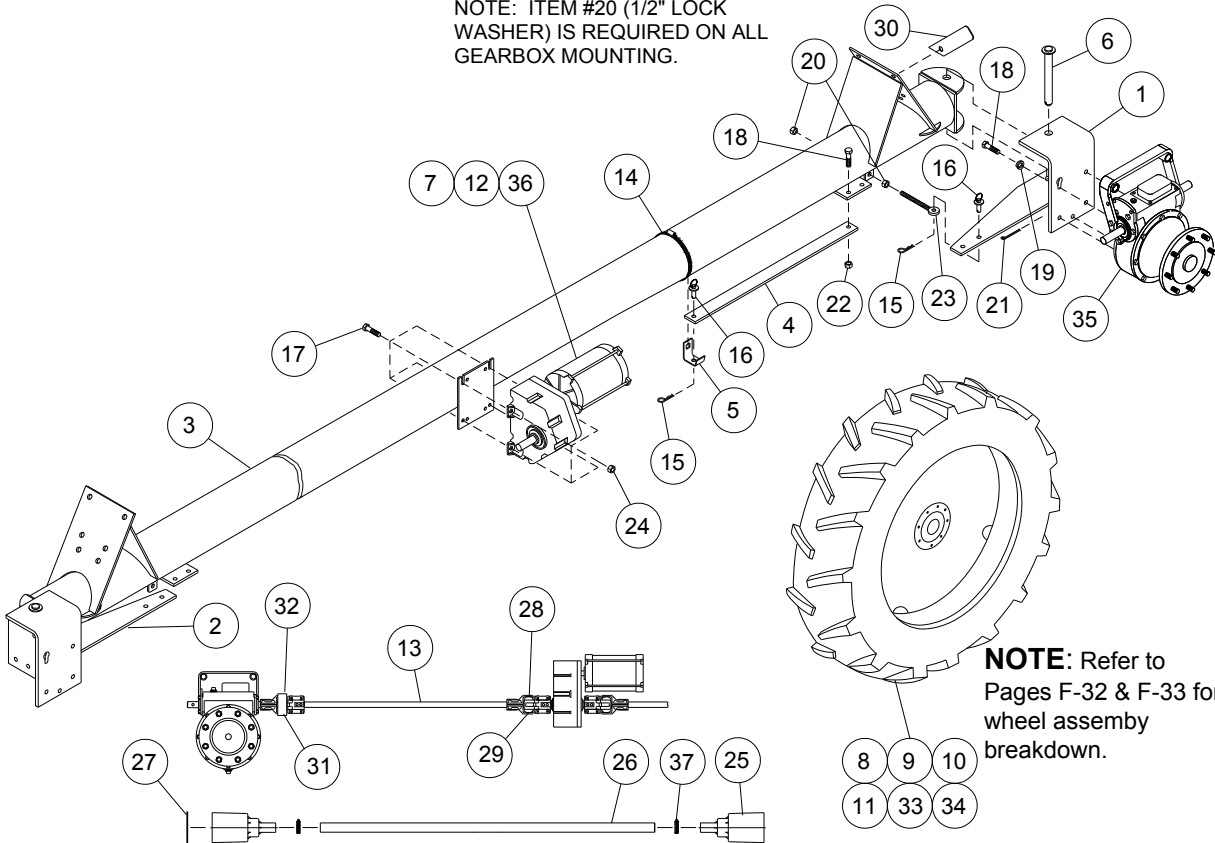




# Tower/Drive Tube Assembly

## Drive Tube Assembly, Towable

NOTE: ITEM #20 (1/2" LOCK WASHER) IS REQUIRED ON ALL GEARBOX MOUNTING.



NOTE: Refer to Pages F-32 & F-33 for wheel assembly breakdown.

Ref.	Original Part No.	Substitute Part No.	Description
1	03-0110-1		Mount, Gearbox, Left
2	03-0120-0		Mount, Gearbox, Right
3	03-0759-5		Frame, Drive Tube, Swivel Mount
4	03-0880-9		Tie, Rod, Towable
5	03-0890-8		Saddle, Tie, Rod
6	03-2158-8		Pin Assembly, Gearbox Mount
7	03-4184-2		Motor Assy, LCD, 3/4 HP, 43 RPM
8	03-4840-9		Wheel Assy, 11.2 x 24", Right
9	03-4841-7		Wheel Assy, 11.2 x 24", Left
10	03-4842-5		Wheel Assy, 14.9 x 24, Right
11	03-4843-3		Wheel Assy, 14.9 x 24, Left
12	03-4984-5		Motor Assy, 1 HP, 30 RPM
13	04-0716-3		Shaft, Drive, 7/8", 59-1/4"
14	06-0360-5		Clamp, Hose, Tie, Rod
15	06-0560-0		Pin, Hair, 1/2" Shaft
16	06-0570-9		Pin, Hitch, Towable Arm Lock
17	06-3415-4		Screw, 3/8-16 x 1-1/4" Hex, Gr. 5
18	06-0804-2		Screw, 1/2-13 x 1-1/4", Hex, Gr. 5
19	06-0814-1		Washer, Lock, 1/2"

Ref.	Original Part No.	Substitute Part No.	Description
20	06-0824-0		Nut, Hex, 1/2-13
21	06-2085-6		Pin, Cotter, 1/4 x 2-1/4"
22	06-2418-9		Nut, 1/2-13, Lock
23	06-2522-8		Rod End, 1/2-13 x 6
24	06-3419-6		Nut, 3/8-16, Hex, Flange
25	06-3589-6		Bell, Drive Shaft, End
26	06-4442-7		Tube, Drive Shaft, 1-1/2" x 54"
27	14-9301-0		Washer, Drive Shaft Bell
28	10-0433-2		Insert Coupler, Non-Tow
29	10-0435-7		Coupler, 7/8" Drive Shaft
30	10-4983-2		Bracket, Towable Drive Shaft
31	11-4697-6		Insert Coupler, Towable
32	11-4698-4		Coupler, 7/8" Drive Shaft, Towable
33	11-5491-3		Wheel Assy, 11 x 22.5, R, Recap
34	11-5492-1		Wheel Assy, 11 x 22.5, L, Recap
35	14-5230-0		Gearbox, 2-1/4", Tow, Non-Tow
36	12-5327-0		Motor Assy, Lind. CD, 1 HP 59 RPM
37	26-1091-3		Clamp, Hose, Worm Drive