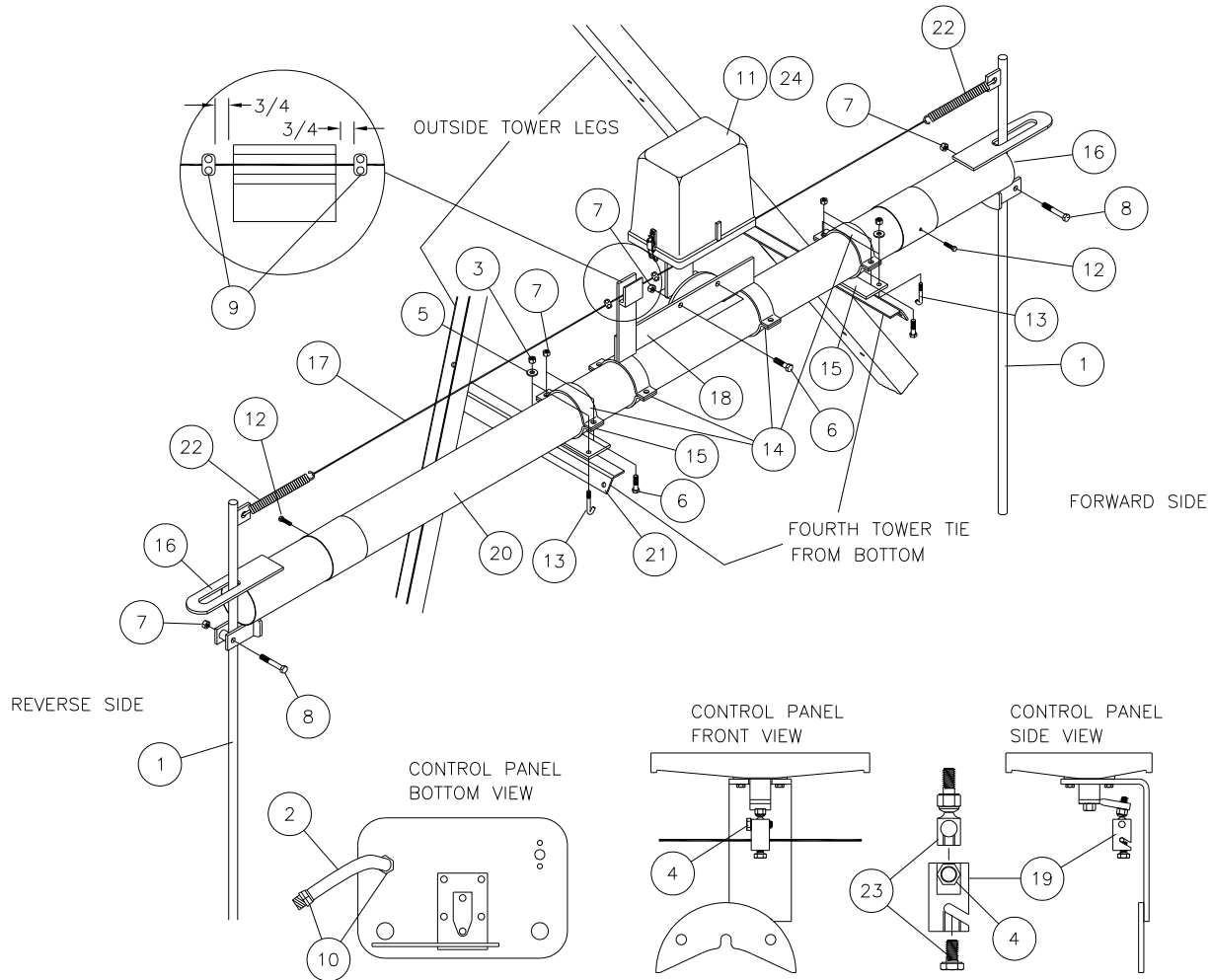


Tower/Drive Tube Assembly

Auto Reverse w/Stop, Any Tower, 10-0242-7 (Jan. 2002 - Present)



Ref.	Original Part No.	Substitute Part No.	Description
1	04-6579-9		Rod, Control, Safety Switch, 60"
2	03-8146-7		Cable, Elec., #4#14, 6# 18 x 7'
3	06-0262-3		Nut, 5/16-18, Lock, Nylon Insert
4	06-0802-6		Screw, 5/16-18 x 1", Hex
5	06-0817-4		Washer, Flat, 5/16"
6	06-2221-7		Screw, 3/8-16 x 1", Hex, Gr. 5
7	06-2420-5		Nut, 3/8-16, Lock
8	06-2451-0		Screw, 3/8-16 x 2-1/2" Hex, Gr. 5
9	06-2621-8		Clamp, Cable, 3/16"
10	09-9183-6		Connector, 3/4", w/Nut, .6-.7 Dia.
11	10-0052-0		Panel, Control, Auto Rev./Stop
12	10-9699-9		Screw, #14 x 1", Hex, Self-Drill

Ref.	Original Part No.	Substitute Part No.	Description
13	11-0559-2		Bolt, 5/16-18 x 2-1/2", "J"
14	11-7813-6		Clamp, Saddle, 4"
15	11-7815-1		Mount Weld, 4" Tube
16	11-7820-1		Joint, Rod Mount, Complete
17	11-7822-7		Cable, 3/16" x 21'
18	11-7825-0		Mount, Panel and Cable Guide
19	11-7826-8		Lug, Cable Attachment
20	11-8060-3		Pipe, Safety Rod Mount
21	11-9310-0		Angle, Tube Mounting
22	26-1149-9		Spring, Yoke
23	06-3910-4		Swivel, Set Screw