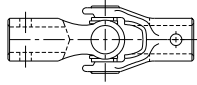


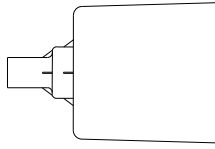


# Tower/Drive Tube Assembly

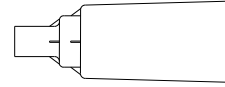
## Driveline Replacement Parts



6-4708-1 JOINT, UNIVERSAL, 3/4 x 1, 6R  
10-4982-4 JOINT, UNIVERSAL, 7/8 x 1, 6R



6-3589-6  
BELL, DRIVE SHAFT END, 5-1/4" O.D.



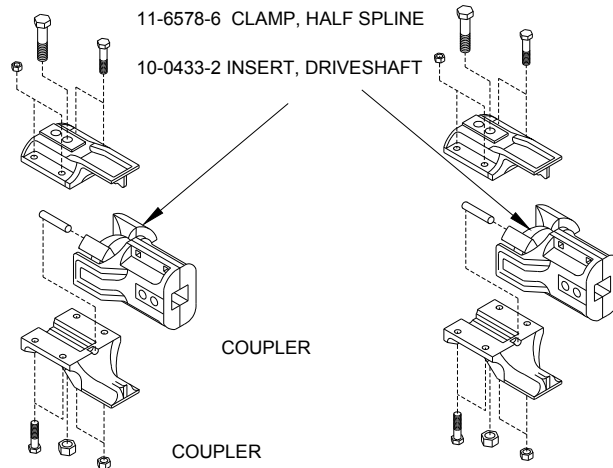
6-4378-3  
BELL, DRIVE SHAFT END, 4-1/8" O.D.



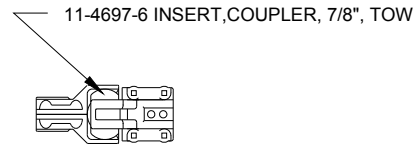
6-4442-7 TUBE, DRIVESHAFT, 1-1/2" x 54"  
6-3590-4 TUBE, DRIVESHAFT, 1-1/2" x 60"

### 11-6579-4 KIT, SPLINE COUPLER BOLT

- 1 EACH NUT, 3/8-16, LOCK, 2-WAY, GR. A, PLATED
- 1 EACH SCREW, 3/8-16 x 2-1/4, HHCS, GR. 5, PLATED
- 8 EACH SCREW, 1/4-20 x 1, CARRIAGE, GR. 5, PLATED
- 8 EACH NUT, 1/4-20, LOCK, 2-WAY, GR. A, PLATED
- 1 EACH ROD, 3/8" x 2-9/16"

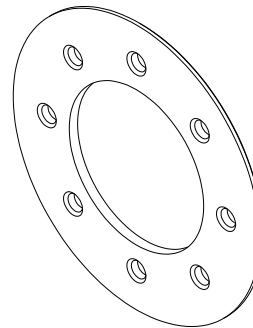


10-1250-9 COUPLER, 3/4 DRIVESHAFT      10-0435-7 COUPLER, 7/8 DRIVESHAFT



11-4698-4 COUPLER, 7/8", TOWABLE

## Wheel, Weld in Center Hub



| Ref. | Original Part No. | Substitute Part No. | Description                     |
|------|-------------------|---------------------|---------------------------------|
| 1    | 06-3589-6         |                     | Bell, Drive Shaft End           |
| 2    | 06-3590-4         |                     | Tube, Drive Shaft Cover, 60"    |
| 3    | 06-4378-3         |                     | Bell, Drive Shaft End           |
| 4    | 06-4442-7         |                     | Tube, Drive Shaft, 1-1/2" x 54" |
| 5    | 06-4708-1         |                     | Joint, Universal, 3/4" Sq.      |
| 6    | 10-0433-2         |                     | Insert, Coupler, Non-Tow        |
| 7    | 10-0435-7         |                     | Coupler, Kit, 7/8" Drive Shaft  |
| 8    | 10-1250-9         |                     | Coupler, Kit, 3/4" Drive Shaft  |
| 9    | 10-4982-4         |                     | Joint, Universal, 7/8" Sq.      |
| 10   | 11-4697-6         |                     | Insert, Coupler, Towable        |
| 11   | 11-4698-4         |                     | Coupler Kit, Towable 7/8" Shaft |
| 12   | 11-6578-6         |                     | Clamp, Half Spline Coupler      |
| 13   | 11-6579-4         |                     | Kit, Spline Coupler Bolt        |

| Ref. | Original Part No. | Substitute Part No. | Description               |
|------|-------------------|---------------------|---------------------------|
| 1    | 13-9287-0         |                     | Wheel, Weld in Center Hub |