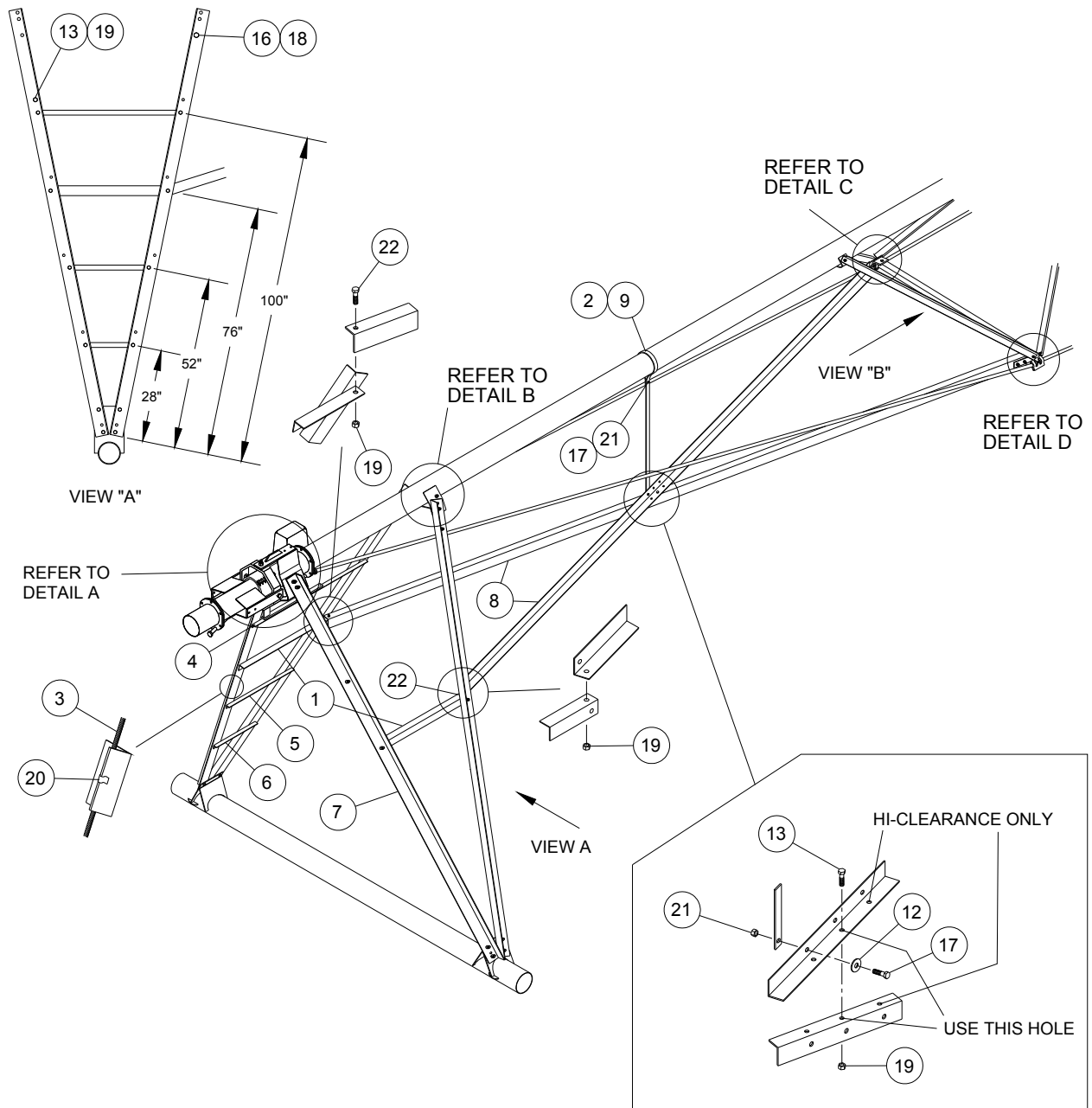


Tower/Drive Tube Assembly

Tower Assembly, 8", 8-5/8" and 10"



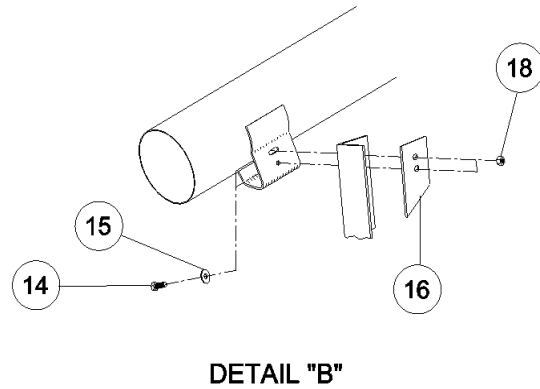
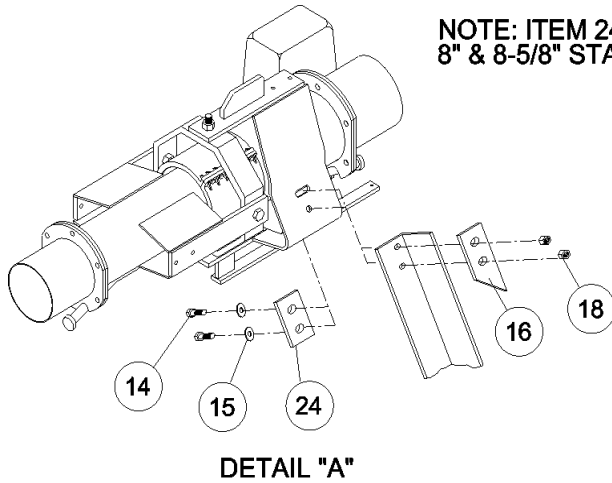
NOTE: RIGHT HAND STABILIZER CROSSES OVER THE TOP OF LEFT HAND STABILIZER



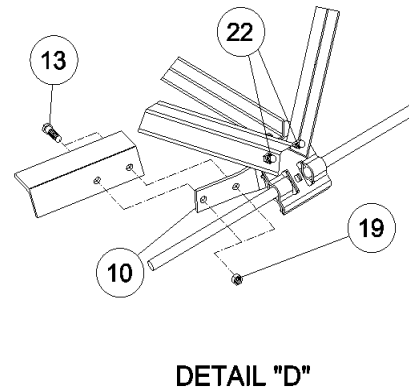
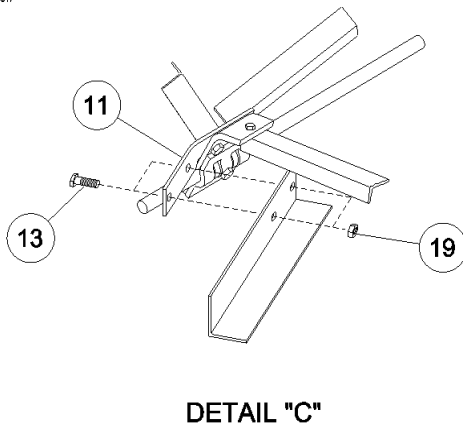
Tower/Drive Tube Assembly

Tower Assembly, 8", 8-5/8" and 10" (cont'd.)

NOTE: ITEM 24 IS ONLY USED ON 8" & 8-5/8" STAINLESS STEEL JOINTS



1120606-017



Ref.	Original Part No.	Substitute Part No.	Description
1	03-0513-6		Tie, Tower, Stab. Attach., 36-3/4"
2	03-1013-6		Support, Stabilizer, 10"
3	03-1190-2		Cable, Electric, 4#14 x 18'4"
4	03-2344-4		Tie, Tower Top, 44-3/8"
5	03-2346-9		Tie, Tower, 2nd Frm Bottom, 25-1/4"
6	03-2347-7		Tie, Tower, Bottom, 15-3/4"
7	03-6741-7		Leg, Tower, 11'
8	03-6743-3		Angle, Stabilizer, 19' 4-1/2"
9	03-6750-8		Support, Stabilizer, 8"
10	04-0295-8		Tie, Stab. Angle, Left, 10-13/16"
11	04-0348-5		Tie, Stab. Angle, Right, 10-13/16"
12	06-0250-8		Washer, Flat, 3/8"
13	06-0804-2		Screw, 1/2-13 x 1-1/4", Hex, Gr. 5

Ref.	Original Part No.	Substitute Part No.	Description
14	06-0807-5		Screw, 5/8-11 x 2", Hex, Gr. 5
15	06-0818-2		Washer, Flat, 5/8"
16	16-0012-0		Washer, Tower Leg
17	06-2221-7		Screw, 3/8-16 x 1", Hex, Gr. 5
18	06-2416-3		Nut, 5/8-11, Lock
19	06-2418-9		Nut, 1/2-13, Lock
20	06-2515-2		Clip, Speed, "S"
21	06-3419-6		Nut, 3/8-16, Flange, Toplock
22	26-0760-4		Screw, 1/2-13 x 1-1/2", Hex, Gr. 5
23	03-0760-3		Kit, Span, Stabilizer Hardware (Items 10, 11, 12, 19 and 22)
24	13-6460-0		Bundle, Tower Ties (Items 1, 4, 5 and 6)