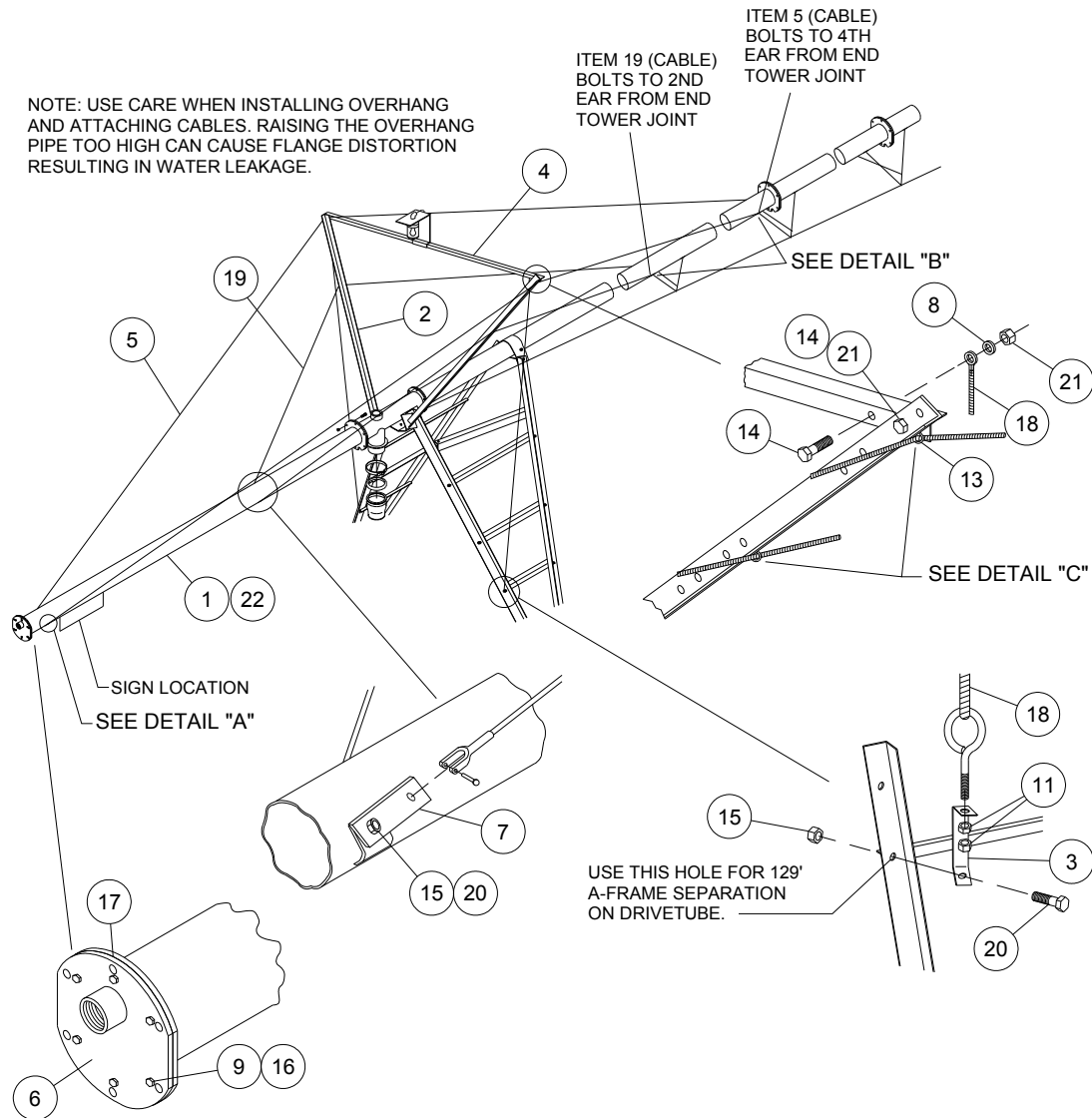




Overhangs

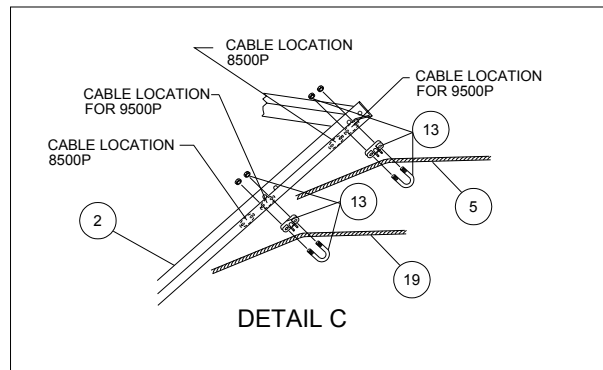
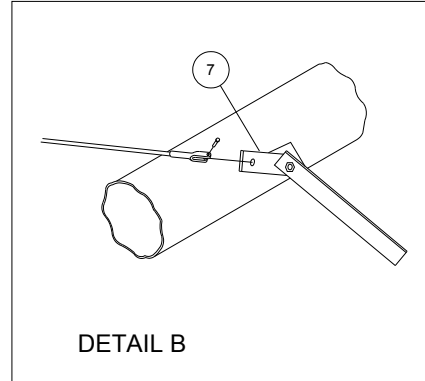
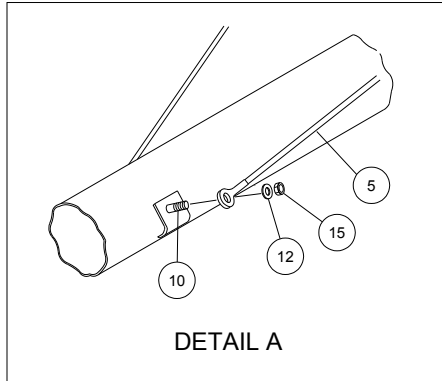
Overhang Assembly, 5-9/16", 44'

NOTE: USE CARE WHEN INSTALLING OVERHANG AND ATTACHING CABLES. RAISING THE OVERHANG PIPE TOO HIGH CAN CAUSE FLANGE DISTORTION RESULTING IN WATER LEAKAGE.



Overhangs

Overhang Assembly, 5-9/16", 44' (Beginning Serial No. 24912) (cont'd.)



Ref.	Original Part No.	Substitute Part No.	Description
1	11-3651-4		Pipe, Span, 5-9/16", 90" Outlets
2	03-0893-2		Leg, Overhang, w/Anchor Joint
3	03-4717-9		Bracket, Drop Cable Tie-Down
4	03-8202-8		Tie, Overhang, Half
5	03-8209-3		Cable, Overhang, w/Pin, 82' - 5-1/2"
6	04-0085-3		Cap, Overhang Pipe w/2-1/2" Coupling
7	04-8208-3		Eyelet, Tie-Back Cable
8	06-0250-8		Washer, Flat, 3/8"
9	06-0803-4		Screw, 3/8-16 x 1-1/2", Hex, Gr. 5
10	06-0805-9		Screw, 1/2-13 x 2", Hex, Gr. 5
11	06-0824-0		Nut, Hex, 1/2-13
12	06-0843-0		Washer, Flat, 1/2"
13	06-0884-4		Clamp, Cable, 3/8"
14	06-2221-7		Screw, 3/8-16 x 1", Hex, Gr. 5
15	06-2418-9		Nut, 1/2-13, Lock
16	06-3419-6		Nut, 3/8-16, Flange, Toplock
17	06-3443-6		Gasket, Overhang Flange, 5-9/16"
18	06-4653-9		Cable, 22' and 44' Drop, 10'-9"
19	10-1622-9		Cable, Overhang, 44' w/Pins, 38'-5"
20	26-0760-4		Screw, 1/2-13 x 1-1/2", Hex, Gr. 5
21	06-2420-5		Nut, 3/8"-16, Lock
22	11-3653-0		Pipe, Span, 5-9/16", 30" Outlets