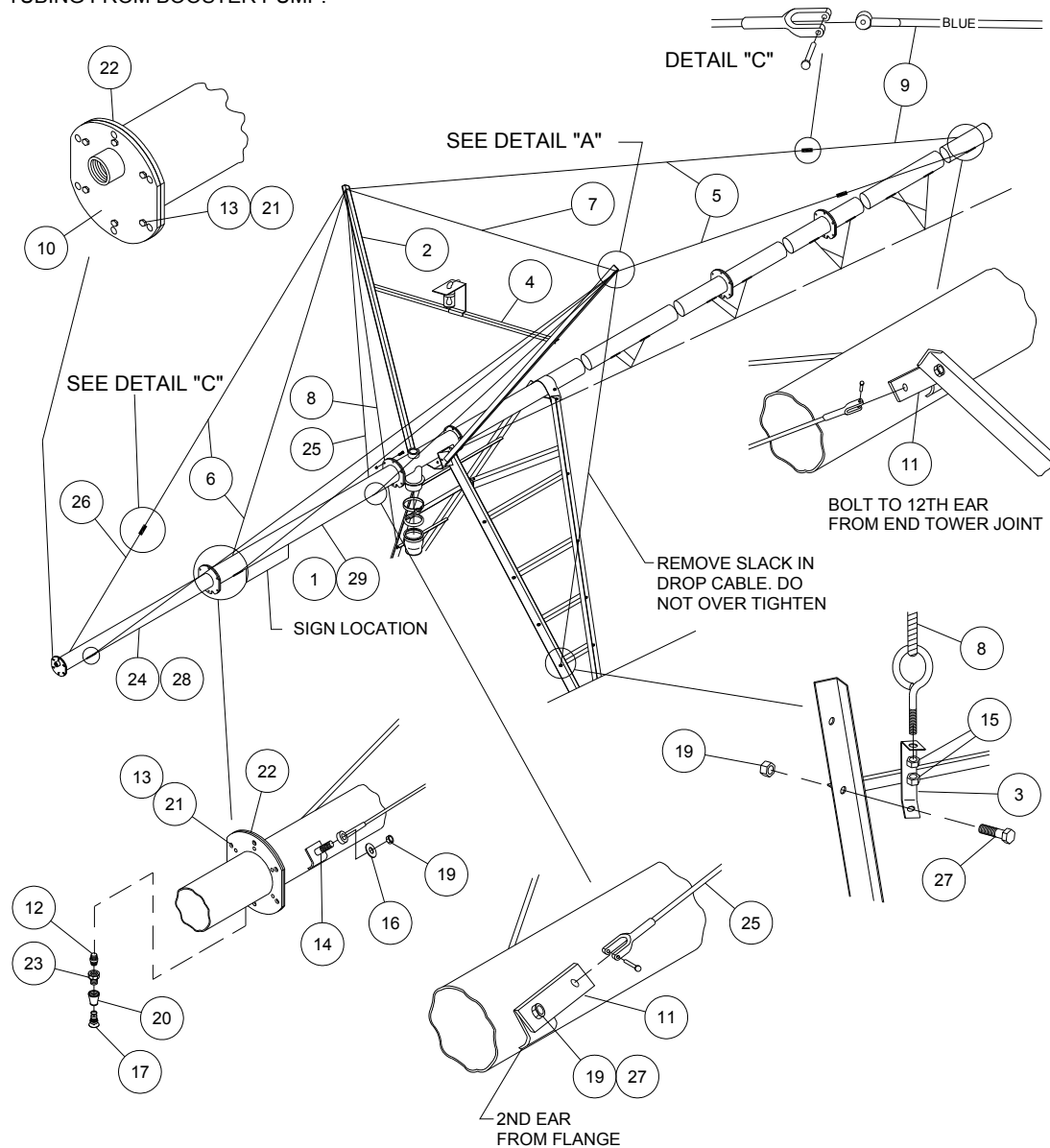




Overhangs

Overhang Assembly, 5-9/16", 55'

NOTE: REFER TO SPRINKLER COMPONENTS FOR P/N 4-0137-2 (CAP, OVERHANG PIPE, 4") USED WITH 2 1/2" TUBING FROM BOOSTER PUMP.

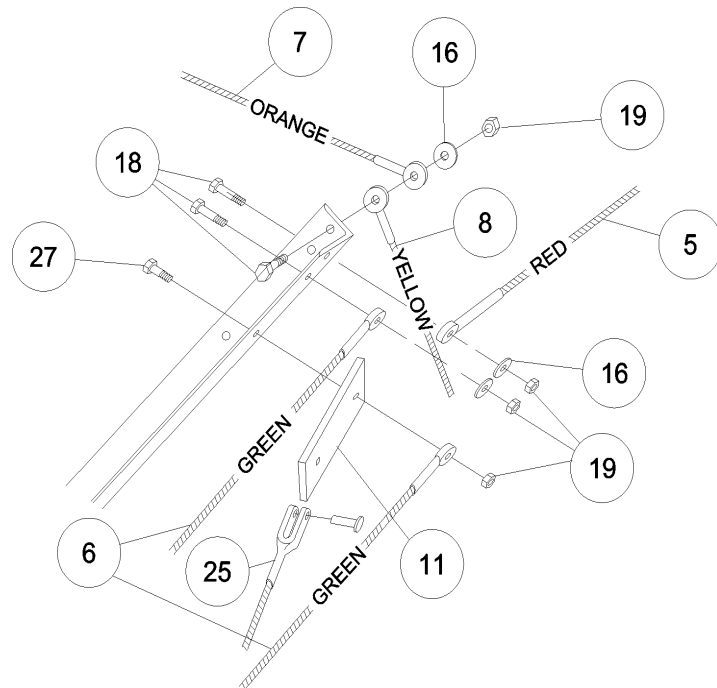




Overhangs

Overhang Assembly, 5-9/16" - 55'

PART NO.	LENGTH	COLOR CODE
3-8209-3	82' - 5-1/2"	RED ENDS
3-8210-1	43' - 0"	GREEN ENDS
3-8213-5	19' - 4"	ORANGE ENDS
3-8214-3	17' - 10"	YELLOW ENDS
3-8215-0	47' - 2"	BLUE ENDS
10-1623-7	22' - 6"	CLEVIS ENDS
11-0931-3	12'-11"	RED ENDS



DETAIL "A"

Ref.	Original Part No.	Substitute Part No.	Description
1	11-3651-4		Pipe, Span, 5-9/16", 90" Outlets
2	03-0892-4		Angle, Mast, 66'/88', OH, w/Anchor Jt
3	03-4717-9		Bracket, Drop Cable, Tie-Down
4	03-8202-8		Tie, Overhang, Half
5	03-8209-3		Cable, Overhang, w/Pin, 82' 5-1/2"
6	03-8210-1		Cable, Overhang, 1st Outboard, 43'
7	03-8213-5		Cable, 66'/88', OH, Crosstie, 19-4"
8	03-8214-3		Cable, 66'/88', OH, Drop, 17'-10"
9	03-8215-0		Cable, 66'/88', w/Pin, 47'-2"
10	04-0085-3		Cap, Overhang Pipe, 2-1/2" Coup.
11	04-8208-3		Eyelet, Tie-Back Cable
12	06-0638-4		Nipple, Pipe, 3/4" x Close, Black
13	06-0803-4		Screw, 3/8-16 x 1-1/2", Hex, Gr. 5
14	06-0805-9		Screw, 1/2-13 x 2", Hex, Gr. 5
15	06-0824-0		Nut, 1/2-13, Hex

Ref.	Original Part No.	Substitute Part No.	Description
16	06-0843-0		Washer, Flat, 1/2"
17	06-2070-8		Valve, Drain, 1"
18	06-2304-1		Screw, 1/2-13 x 2-1/2", Hex, Gr. 5
19	06-2418-9		Nut, 1/2-13, Lock
20	06-2514-5		Reducer, Bell, 2" x 1"
21	06-3419-6		Nut, 3/8-16, Flange, Toplock
22	06-3443-6		Gasket, Overhang Flange, 5-9/16"
23	06-4654-7		Bushing, Hex, 2" x 3/4"
24	10-0678-2	1601517	Pipe, Overhang, 5-9/16" x 11', 90"
25	10-1623-7		Cable, OH, 66'/88', w/Pin, 22'-6"
26	11-0931-3		Cable, 55' Overhang, Ext. 12' 11"
27	26-0760-4		Screw, 1/2-13 x 1-1/2", Hex, Gr. 5
28	10-0680-8	1601518	Pipe, Overhang, 5-9/16" x 11', 30"
29	11-3653-0		Pipe, Span, 5-9/16", 30" Outlets