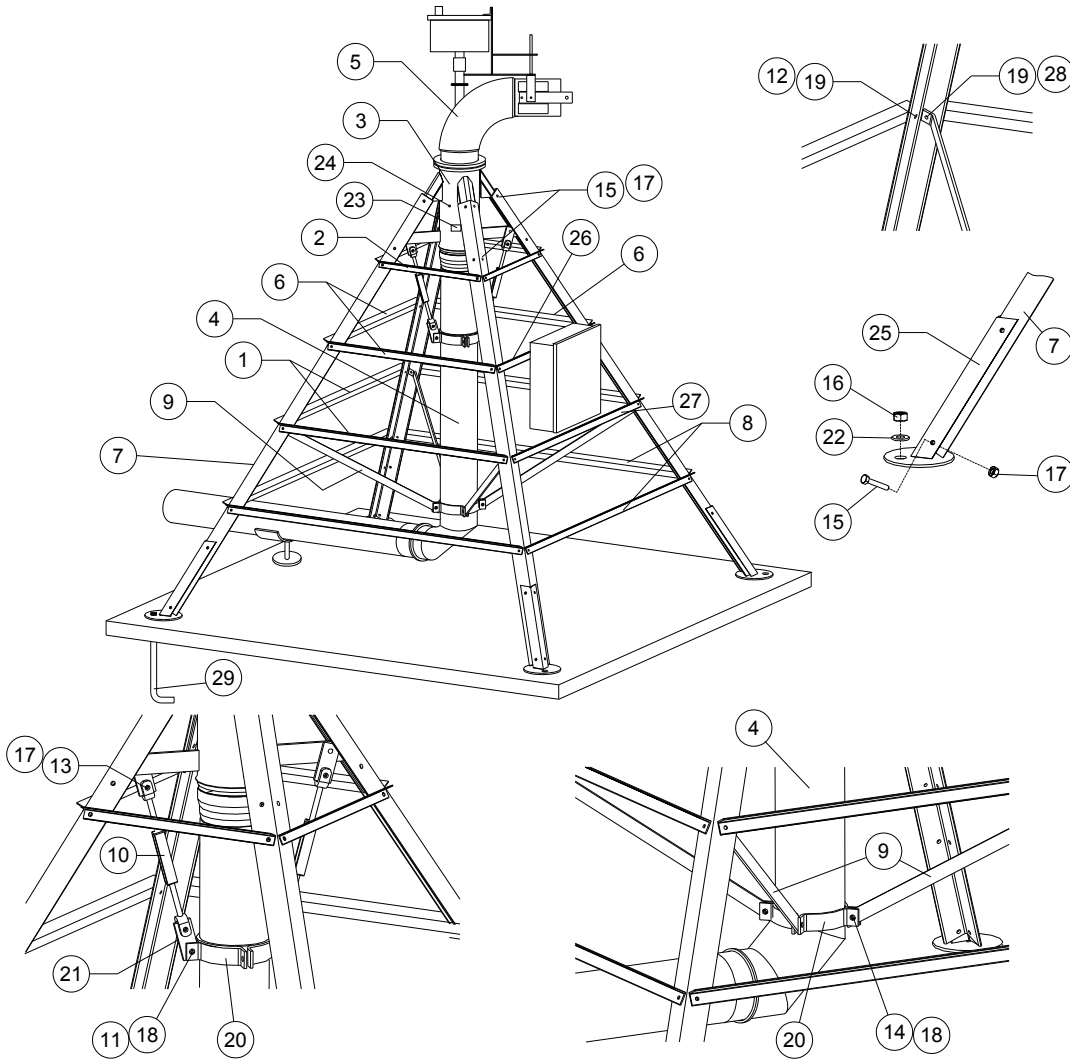




A Pivot Points

10" Pivot



Ref.	Original Part No.	Substitute Part No.	Description
1	03-0810-6		Tie, Pivot, 2nd From Bottom
2	03-0830-4		Tie, Pivot, Top, 31-5/16"
3	03-0979-9		Head Weldment, Pivot, 10"
4	11-2251-4		Riser Weldment, Pivot, 10"
5	11-2250-6		Elbow Weldment, Pivot, 10"
6	03-1110-0		Brace, Truss Side, 51-1/2"
7	03-4600-7		Leg, Heavy Duty, Pivot
8	03-6939-7		Tie, Pivot Bottom, 92"
9	04-0063-0		Strap, Pivot Riser
10	06-0011-4		Turnbuckle, 3/4 x 6, Clevis End
11	06-0261-5		Screw, 3/4-10 x 2-1/2", Hex, Gr. 8
12	06-0804-2		Screw, 1/2-13 x 1-1/4", Hex, Gr. 5
13	06-0807-5		Screw, 5/8-11 x 2", Hex, Gr. 5
14	06-0809-1		Screw, 3/4-10 x 2", Hex, Gr. 5
15	06-0839-8		Screw, 5/8-11 x 1-1/2", Hex, Gr. 5
16	06-2258-9		Nut, 1-1/4-7, Hex
17	06-2416-3		Nut, 5/8-11, Lock

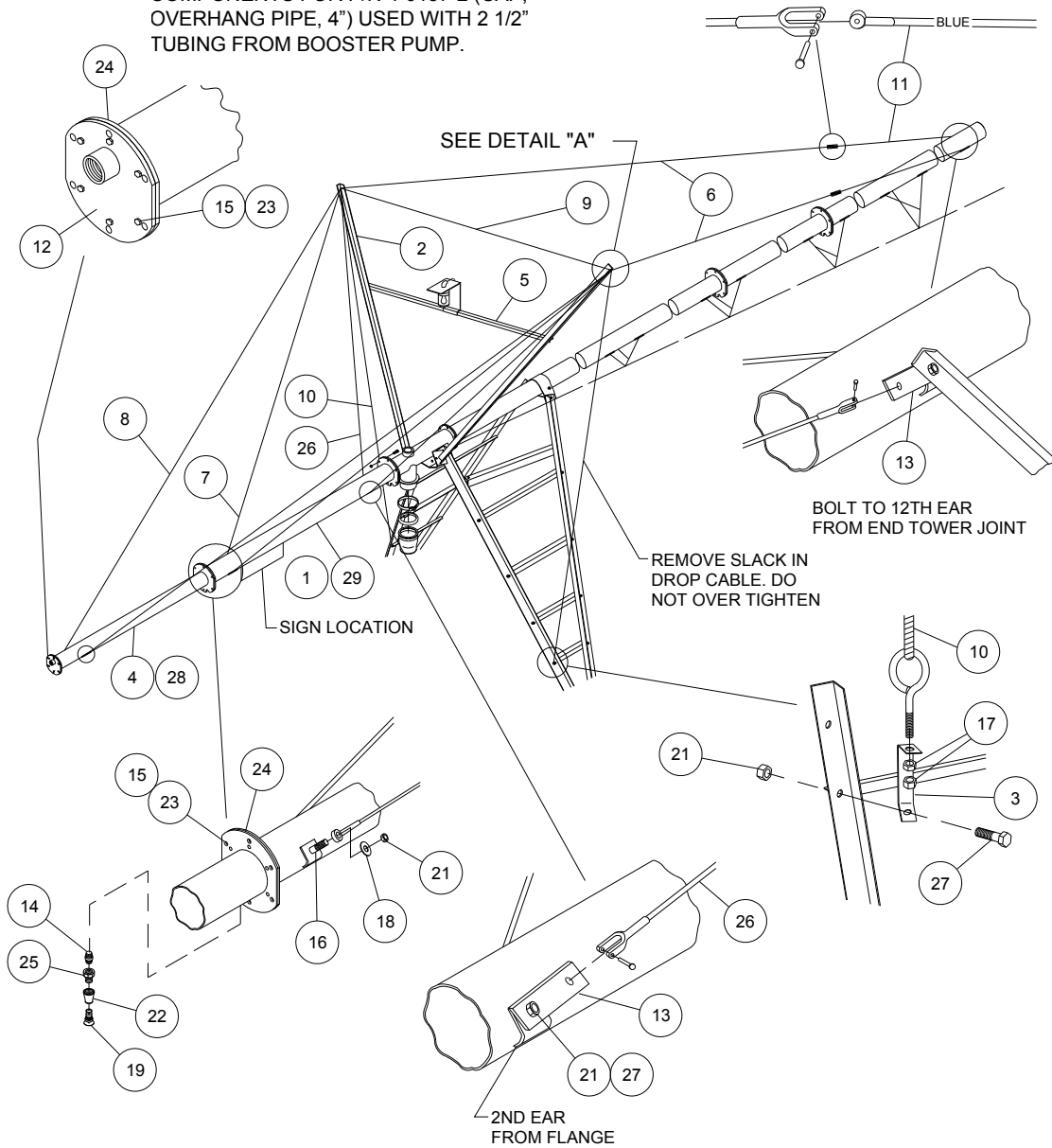
Ref.	Original Part No.	Substitute Part No.	Description
18	06-2417-1		Nut, 3/4-10, Lock
19	06-2418-9		Nut, 1/2-13, Lock
20	10-1196-4		Clamp, 1/4", 10" Pivot Riser
21	10-3575-7		Strap, 10" Riser Support, 5-3/4"
22	10-8627-1		Washer, Flat, 1-1/4"
23	11-0046-0		Decal, "Grease"
24	11-0470-2		Zerk, 5/16", Drive-In
25	11-0902-4		Anchor Weldment, Pivot, 10"
26	11-9461-0		Tie, Pivot, Panel Mount, Top
27	11-9462-0		Tie, Pivot, Panel Mount, Bottom
28	26-0760-4		Screw, 1/2-13 x 1-1/2", Hex, Gr. 5
29	10-3576-5		Bolt, Pivot Anchor, 1-1/4"
30	03-1028-4		Kit, 10" Pivot Hardware
31	03-4799-7		Bundle, Pivot Tie, 3 Sides (includes 3 of Items 2, 6 & 8)
32	03-4797-1		Bundle, Pivot, Galvanized (includes Items 1, 2, 8, 9, 26 & 27)



Overhangs

Overhang Assembly, 5-9/16" - 66'

NOTE: REFER TO SPRINKLER COMPONENTS FOR P/N 4-0137-2 (CAP, OVERHANG PIPE, 4") USED WITH 2 1/2" TUBING FROM BOOSTER PUMP.

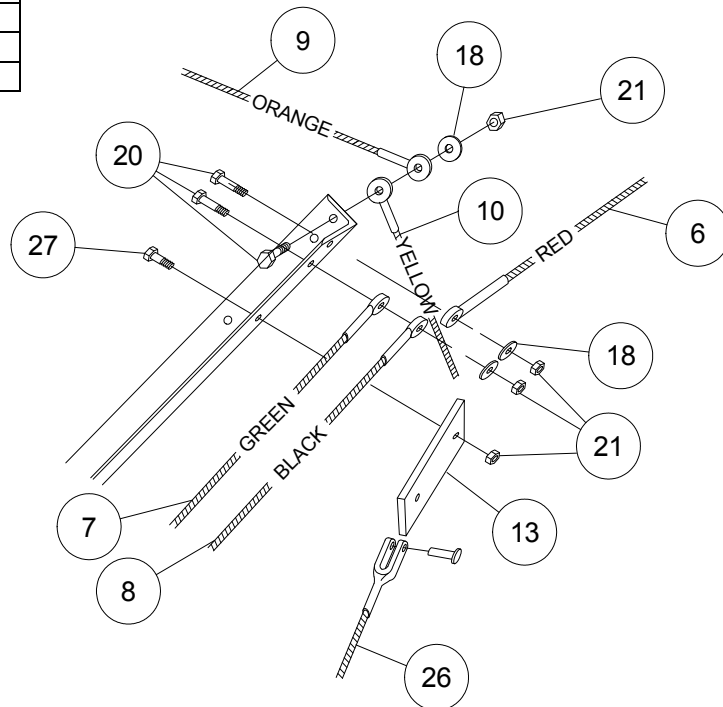




Overhangs

Overhang Assembly, 5-9/16'' - 66' (Beginning Serial No. 24912) (cont'd.)

PART NO.	LENGTH	COLOR CODE
3-8209-3	82' - 5-1/2"	RED ENDS
3-8210-1	43' - 0"	GREEN ENDS
3-8211-9	64' - 3/4"	BLACK ENDS
3-8213-5	19' - 4"	ORANGE ENDS
3-8214-3	17' - 10"	YELLOW ENDS
3-8215-0	47' - 2"	BLUE ENDS
10-1623-7	22' - 6"	CLEVIS ENDS



DETAIL "A"

Ref.	Original Part No.	Substitute Part No.	Description
1	11-3651-4		Pipe, Span, 5-9/16", 90" Outlet
2	03-0892-4		Angle, Mast, 66'/88', OH, w/Anch. Jt
3	03-4717-9		Bracket, Drop Cable Tie-Down
4	03-8198-8		Pipe, Overhang, 4" x 22', 90"
5	03-8202-8		Tie, Overhang, Half
6	03-8209-3		Cable, Overhang, w/Pin, 82'-5-1/2"
7	03-8210-1		Cable, Overhang, 1st Outboard, 43'
8	03-8211-9		Cable, OH, 2nd Outboard, 64'-3/4"
9	03-8213-5		Cable, 66'/88', OH, Crosstie, 19'-4"
10	03-8214-3		Cable, 66'/88', OH, Drop, 17'-10"
11	03-8215-0		Cable, 66'/88', w/Pin, 47'-2"
12	04-0085-3		Cap, Overhang Pipe, 2-1/2" Coup.
13	04-8208-3		Eyelet, Tie-Back Cable
14	06-0638-4		Nipple, Pipe, 3/4" x Close, Black
15	06-0803-4		Screw, 3/8-16 x 1-1/2", Hex, Gr. 5

Ref.	Original Part No.	Substitute Part No.	Description
16	06-0805-9		Screw, 1/2-13 x 2", Hex, Gr. 5
17	06-0824-0		Nut, Hex, 1/2-13
18	06-0843-0		Washer, Flat, 1/2"
19	06-2070-8		Valve, Drain, 1"
20	06-2304-1		Screw, 1/2-13 x 2-1/2", Hex, Gr. 5
21	06-2418-9		Nut, 1/2-13, Lock
22	06-2514-5		Reducer, Bell, 2" x 1"
23	06-3419-6		Nut, 3/8-16, Toplock
24	06-3443-6		Gasket, Overhang Flange, 5-9/16"
25	06-4654-7		Bushing, Hex, 2" x 3/4"
26	10-1623-7		Cable, OH, 66'/88', w/Pins, 22'-6"
27	26-0760-4		Screw, 1/2-13 x 1-1/2", Hex, Gr. 5
28	03-8241-6		Pipe, Overhang, 4" x 22', 30"
29	11-3653-0		Pipe, Span, 5-9/16", 30" Outlets