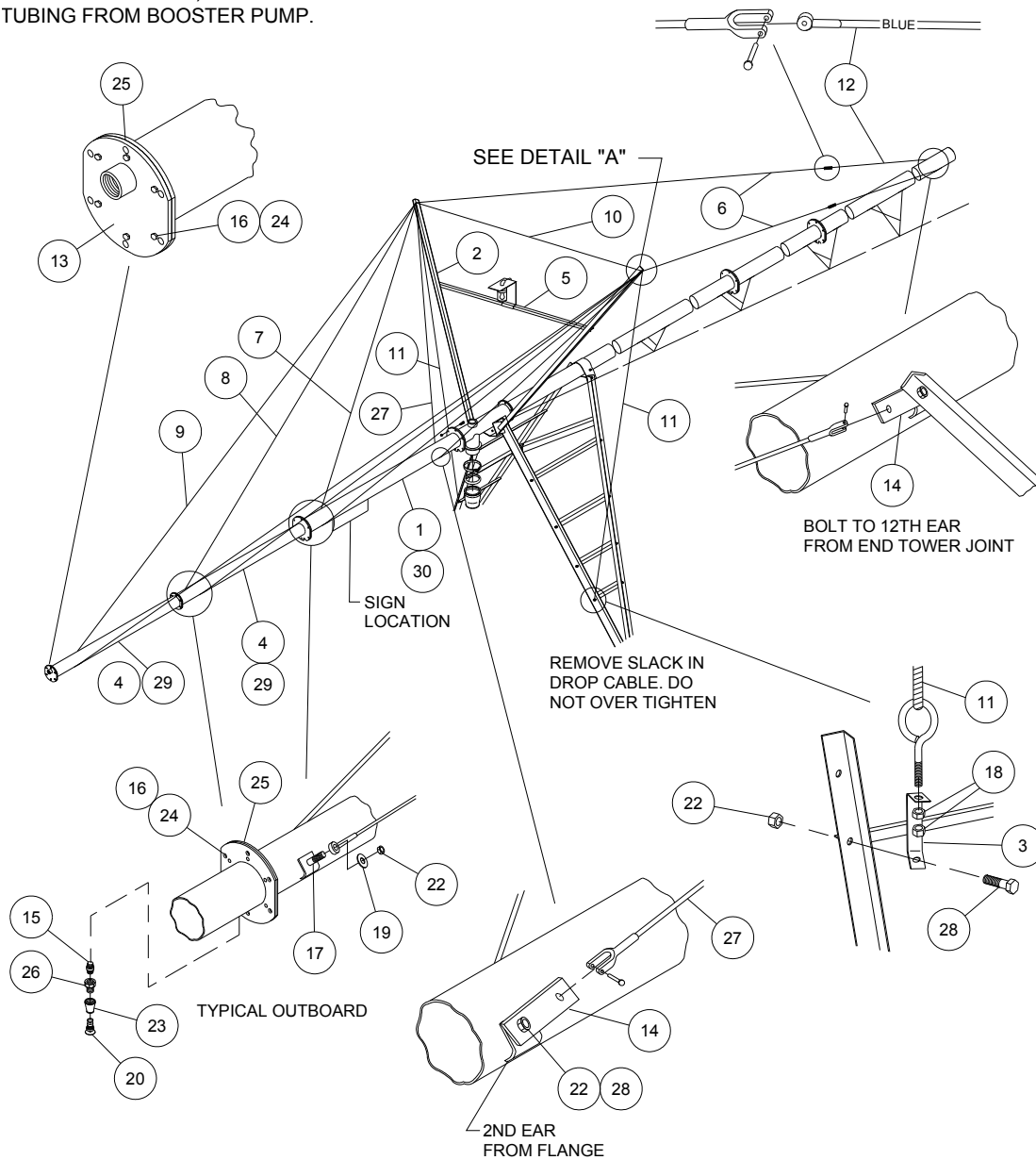


# Overhangs

## Overhang Assembly, 5-9/16" - 88'

**NOTE:** REFER TO SPRINKLER COMPONENTS FOR P/N 4-0137-2 (CAP, OVERHANG PIPE, 4") USED WITH 2 1/2" TUBING FROM BOOSTER PUMP.

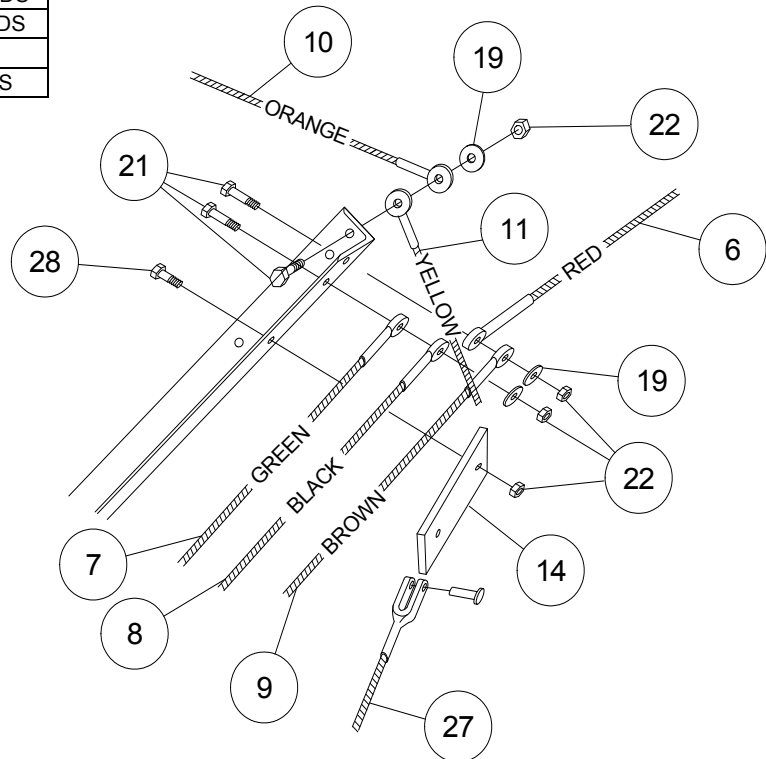




# Overhangs

## Overhang Assembly, 5-9/16'' - 88' (Beginning Serial No. 24912) (cont'd.)

PART NO.	LENGTH	COLOR CODE
3-8209-3	82' - 5-1/2"	RED ENDS
3-8210-1	43' - 0"	GREEN ENDS
3-8211-9	64' - 3/4"	BLACK ENDS
3-8212-7	85' - 5-3/4"	BROWN ENDS
3-8213-5	19' - 4"	ORANGE ENDS
3-8214-3	17' - 10"	YELLOW ENDS
3-8215-0	47' - 2"	BLUE ENDS
10-1623-7	22' - 6"	CLEVIS ENDS



DETAIL "A"

Ref.	Original Part No.	Substitute Part No.	Description
1	11-3651-4		Pipe, Span, 5-9/16", 90"
2	03-0892-4		Angle, Mast, 66'/88' OH, w/Anch. Jt
3	03-4717-9		Bracket, Drop Cable Tie-Down
4	03-8198-8		Pipe, Overhang, 4" x 22"
5	03-8202-8		Tie, Overhang, Half
6	03-8209-3		Cable, Overhang, w/Pin, 82'-5-1/2"
7	03-8210-1		Cable, Overhang, 1st Outboard, 43'
8	03-8211-9		Cable, OH, 2nd Outboard, 64'-3/4"
9	03-8212-7		Cable, 3rd Outboard, 85'-3/4"
10	03-8213-5		Cable, 66'/88', OH, Crosstie, 19'-4"
11	03-8214-3		Cable, 66'/88', OH, Drop, 17'-10"
12	03-8215-0		Cable, OH, 66'/88', w/Pin, 47'-2"
13	04-0085-3		Cap, OH Pipe, 2-1/2" Coupling
14	04-8208-3		Eyelet, Tie-Back Cable
15	06-0638-4		Nipple, Pipe, 3/4" x Close, Black

Ref.	Original Part No.	Substitute Part No.	Description
16	06-0803-4		Screw, 3/8-16 x 1-1/2", Hex, Gr. 5
17	06-0805-9		Screw, 1/2-13 x 2", Hex, Gr. 5
18	06-0824-0		Nut, Hex, 1/2-13
19	06-0843-0		Washer, Flat, 1/2"
20	06-2070-8		Valve, Drain, 1"
21	06-2304-1		Screw, 1/2-13 x 2-1/2", Hex, Gr. 5
22	06-2418-9		Nut, 1/2-13, Lock
23	06-2514-5		Reducer, Bell, 2" x 1"
24	06-3419-6		Nut, 3/8-16, Toplock
25	06-3443-6		Gasket, Overhang Flange, 5-9/16"
26	06-4654-7		Bushing, Hex, 2" x 3/4"
27	10-1623-7		Cable, OH, 66'/88', w/Pins, 22'-6"
28	26-0760-4		Screw, 1/2-13 x 1-1/2", Hex, Gr. 5
29	03-8241-6		Pipe, Overhang, 4" x 22", 30"
30	11-3653-0		Pipe, Span, 5-9/16", 30" Outlets