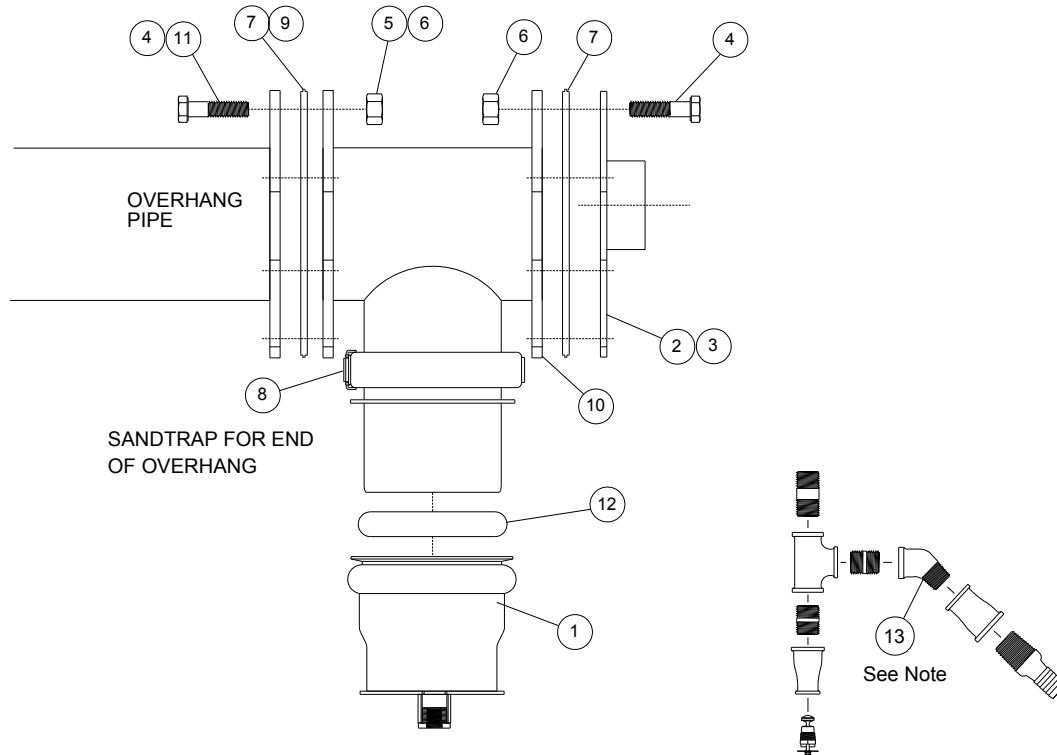




Overhangs

Joint Flush-out Kit, 10-0762-4



NOTE: Item 13 is used with 55', 66' & 88' overhangs with booster pump. Install between the nipple and reducer to allow clearance for cleanout.

Ref.	Original Part No.	Substitute Part No.	Description
1	03-4727-8		Cap, Sandtrap, 5-9/16
2	04-0085-3		Cap, Overhang Pipe, w/2-1/2" Coupling
3	04-0137-2		Cap, Overhang Pipe, 4"
4	06-0803-4		Screw, 3/8-16 x 1-1/2", Hex, Gr. 5
5	06-2418-9		Nut, 1/2-13, Lock
6	06-3419-6		Nut, 3/8-16, Top Lock Hex, Flange
7	06-3443-6		Gasket, Overhang, Flange, 5-9/16"
8	06-3712-4		Clamp, Ringlock, 5" Steel Coupler
9	06-4443-5		Gasket, 6-5/8", Overhang Pipe
10	10-0759-0		Joint, Flushout
11	26-0760-4		Screw, 1/2-13 x 1-1/2", Hex, Gr. 5
12	66-1050-5		Gasket, Roundback, Pierce, 5"
13	10-9973-8		Elbow, Street, 2" x 45 degree

NOTE: Gaskets and Screws are shown for both 6-5/8 and 5-9/16" overhang. End Cap is shown for standard and 88' overhang w/booster pump. End Cap is not included in Kit.