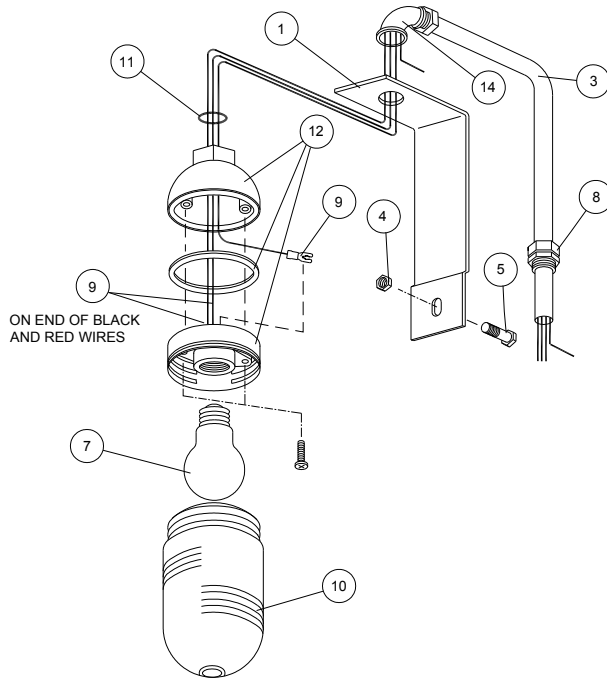




Overhangs

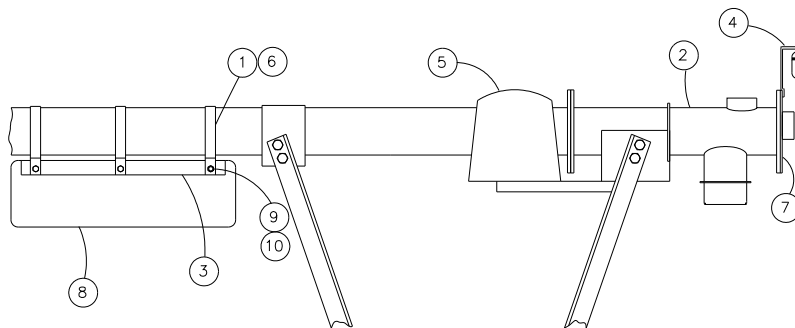
Tower Light Detail, 3-1330-4



Ref.	Original Part No.	Substitute Part No.	Description
1	03-1335-3		Bracket, Light
2	03-4629-6		Termifoil Assembly
3	03-6737-5		Cable, Electric, 4#14 x 14'
4	06-0841-4		Nut, 1/4-20, Hex
5	06-1580-7	11-8405-0	Screw, 1/4-20 x 1", Hex, Stainless
6	06-2515-2		Clip, Speed, "S"
7	09-0010-0		Bulb, 75 Watt, 120V, GE, #74A21/RS

Ref.	Original Part No.	Substitute Part No.	Description
8	09-0839-2		Connector, 1/2" w/Nut, .37-.50 Dia.
9	09-7608-4		Terminal, Wire, B, #16-14, Spade 8
10	09-8871-7		Globe, Light Fixture, Plastic
11	09-9155-4		O-Ring, 1/2" Conduit
12	09-9352-7		Light, Fixture, Tower Assembly
13	11-6062-1		Tab, White Collector Ring
14	13-5187-0		Connector, 1/2" x 90°, .44-.50

Light and Sign Mount, w/o Overhang



Ref.	Original Part No.	Substitute Part No.	Description
1	03-0177-0		Strap, Sign Mount, 5-9/16"
2	03-0706-6		Joint, Comb, Last Tower, w/Anchor
3	03-1150-6		Bracket, Sign, Zimmatic, 53"
4	03-1330-4		Light, Assembly, Last Tower
5	03-7988-3		Panel, Tower Control, Last, 10 Wire

Ref.	Original Part No.	Substitute Part No.	Description
6	03-8216-8		Strap, Sign Mount, 6-5/8"
7	04-0085-3		Cap, O.H., Pipe, w/2-1/2" Coupling
8	10-5029-3		Sign, "Zimmatic"
9	06-3146-5		Screw, 5/16-18 x 1-1/2", Hex, Gr. 5
10	06-4364-3		Nut, 5/16-18, Lock