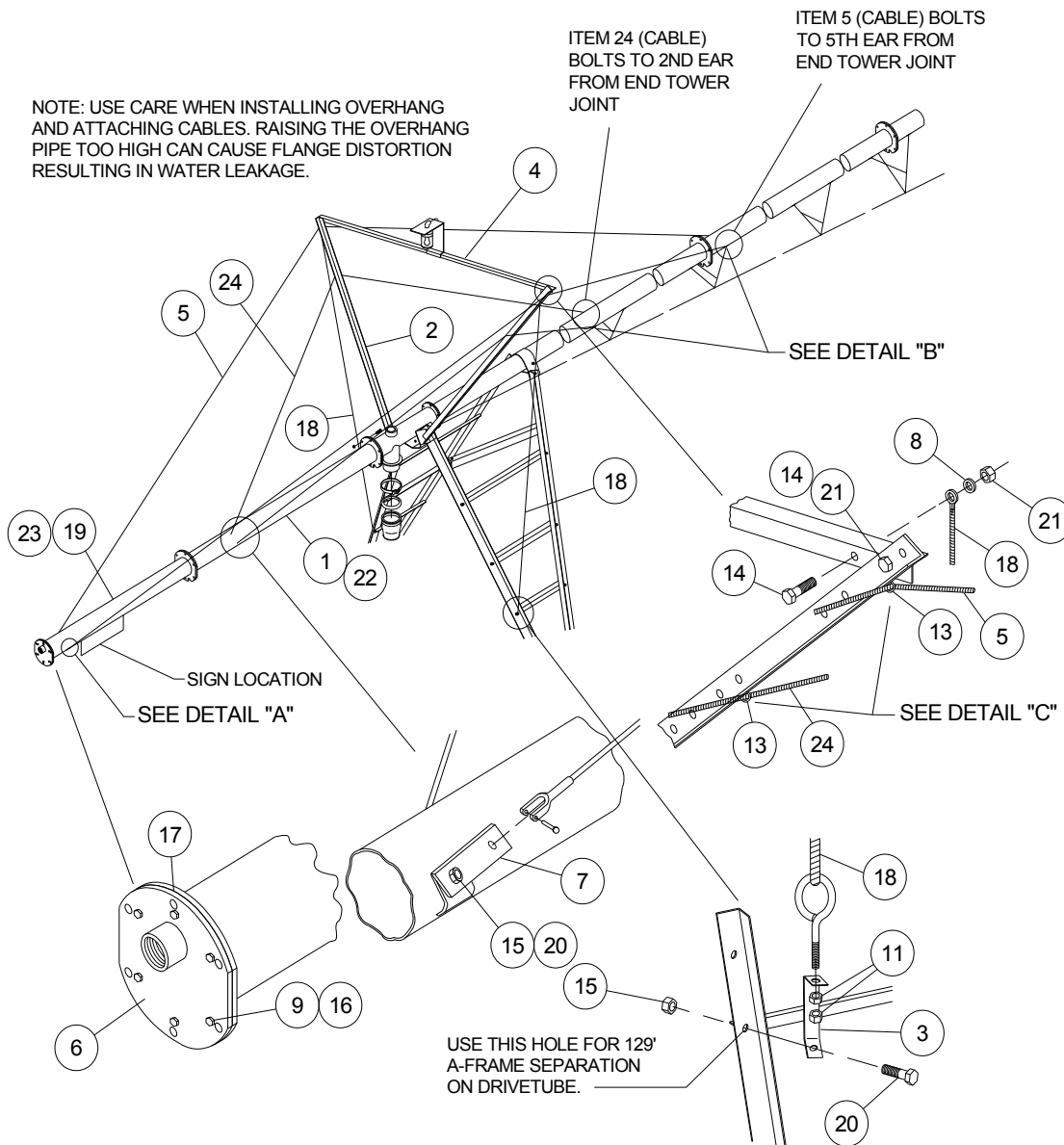




Overhangs

Overhang Assembly, 5-9/16", 33'

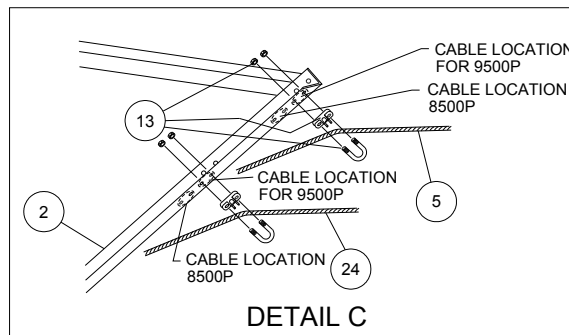
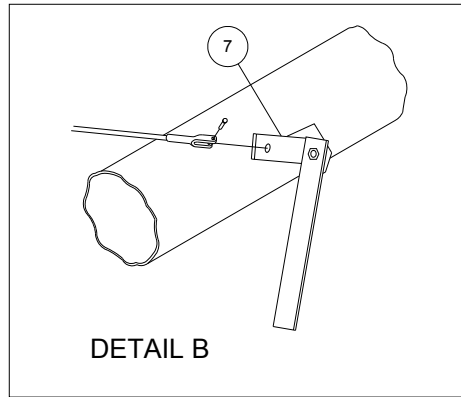
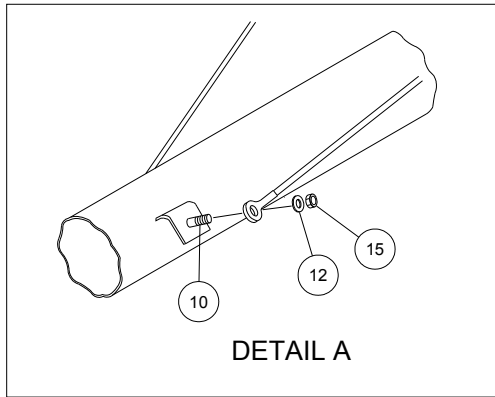
NOTE: USE CARE WHEN INSTALLING OVERHANG AND ATTACHING CABLES. RAISING THE OVERHANG PIPE TOO HIGH CAN CAUSE FLANGE DISTORTION RESULTING IN WATER LEAKAGE.





Overhangs

Overhang Assembly, 5-9/16", 33' (Beginning Serial No. 24912) (cont'd.)



Ref.	Original Part No.	Substitute Part No.	Description
1	11-3650-6		Pipe, Half, 5-9/16", 90" Outlets
2	03-0893-2		Leg, Overhang, w/Anchor Joint
3	03-4717-9		Bracket, Drop Cable, Tie Down
4	03-8202-8		Tie, Overhang, Half
5	03-8209-3		Cable, Overhang, w/Pin, 82'-5-1/2"
6	04-0085-3		Cap, Overhang Pipe, 2-1/2" Coupling
7	04-8208-3		Eyelet, Tie Back Cable
8	06-0250-8		Washer, Flat, 3/8"
9	06-0803-4		Screw, 3/8-16 x 1-1/2", Hex, Gr. 5
10	06-0805-9		Screw, 1/2-13 x 2", Hex, Gr. 5
11	06-0824-0		Nut, Hex, 1/2-13
12	06-0843-0		Washer, 1/2", Flat
13	06-0884-4		Clamp, Cable, 3/8"
14	06-2221-7		Screw, 3/8-16 x 1", Hex, Gr. 5
15	06-2418-9		Nut, 1/2-13, Lock
16	06-3419-6		Nut, 3/8-16, Flange, Toplock
17	06-3443-6		Gasket, O.H., Flange, 5-9/16"
18	06-4653-9		Cable, 22' and 44' Drop, 10'-9"
19	10-0678-2	1601517	Pipe, Overhang, 5-9/16" x 11', 90"
20	26-0760-4		Screw, 1/2-13 x 1-1/2", Hex, Gr. 5
21	06-2420-5		Nut, 3/8"-16, Lock
22	11-3652-2		Pipe, Half, 5-9/16", 30" Outlets
23	10-0680-8	1601518	Pipe, Overhang, 5-9/16" x 11', 30"
24	10-1622-9		Cable, Overhang, 44' w/Pins, 38'-5"