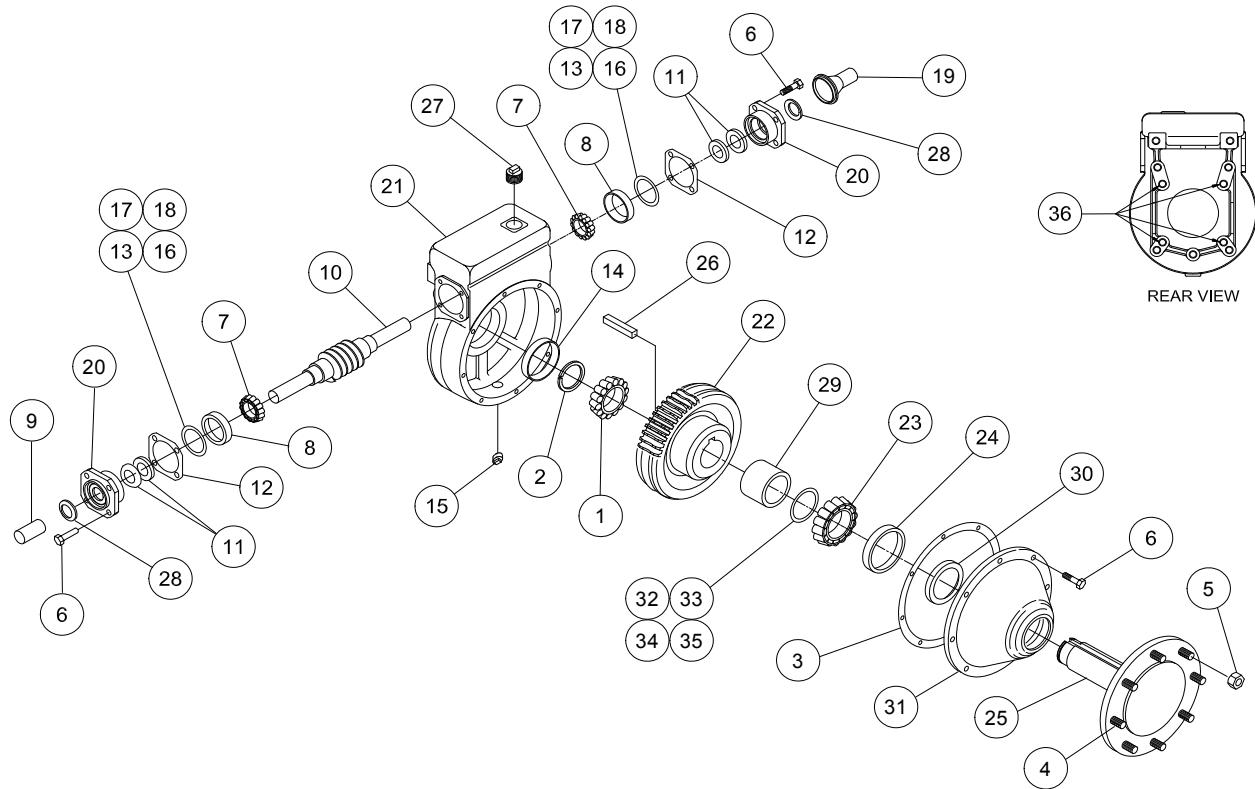




Gearboxes

Gearbox, Non-Tow, Extreme Duty, 11-2482-5



Ref.	Original Part No.	Substitute Part No.	Description
1	6-2104-5		Cone, Bearing, LM104949, C103
2	6-2109-4		Ring, Snap, Gearbox
3	6-2150-8		Gasket, Cover, Gearbox
4	6-2153-2		Bolt, 9/16 x 1-5/8", Hub, Gr. 5
5	6-2154-0		Nut, 9/16-18, Wheel, Lug
6	6-2221-7		Screw, 3/8-16 x 1, Hex, Gr. 5
7	6-3812-2		Cone, Bearing, M86649
8	6-3813-0		Cup, Bearing, M86610
9	6-4055-7		Cap Shaft, 15/16" I.D.
10	6-4664-6		Shaft, Worm, Double End, E4596
11	6-4665-3		Seal, Grease, Input, K278
12	6-4666-1		Gasket, End Cap, K319-1
13	6-4669-5		Shim, Input, .020
14	6-4686-9		Cup, Bearing, LM104911
15	6-4812-1		Plug, Pipe, 1/2", Black
16	10-9233-7	N/A	Shim, Bearing, Input, .005
17	10-9234-5		Shim, Bearing, Input, .007
18	10-9235-2		Shim, Bearing, Input, .010

Ref.	Original Part No.	Substitute Part No.	Description
19	11-1225-9		Shaft Protector
20	11-2554-1	N/A	Cap, End, Open, A192-S
21	11-2555-8		Housing, Gearbox, Lindsay
22	11-2557-4		Gear, Worm, 2-1/4"
23	11-2558-2		Cone, Bearing 2-1/4" 387A
24	11-2559-0		Bearing, Cup, 382A
25	11-2560-8		Shaft, Output, 2-1/4"
26	11-2561-6		Key, Chamfered
27	06-1490-9		Plug, Pipe, Sq. Head, 3/4", Galv.
28	11-5985-4		Seal, Face
29	11-2566-5		Spacer, Gearbox, 2-1/4" I.D.
30	11-4005-2		Seal, 2.250 x 3.000, UMC, 3 Lip
31	11-4006-0		Cover, Gearbox, 2-1/4", UMC
32	11-5934-2		Shim, Bearing, Output, 0.006
33	11-5935-9		Shim, Bearing, Output, 0.010
34	11-5936-7		Shim, Bearing, Output, 0.015
35	11-5937-5		Shim, Bearing, Output, 0.020
36	11-5938-3		Plug, Caplug, #3X