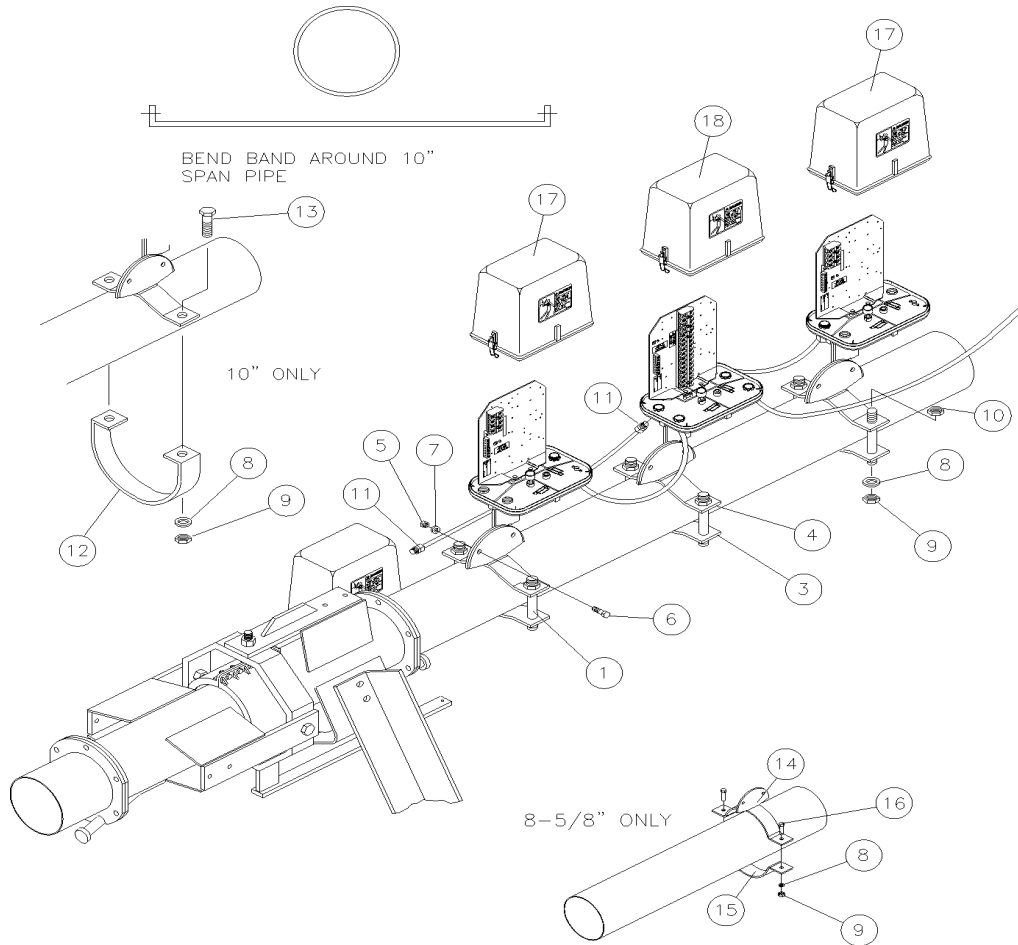


# Tower Panels

## Boost Transformer Assembly



Ref.	Original Part No.	Substitute Part No.	Description
1	03-5272-4		Rod, Threaded, 1/2-13 x 9"
2	03-6664-1		Cable, Elec., 4#10, 6#14, 15'
3	04-7243-1		Clamp, Saddle, 5-9/16-8 x 2-1/2"
4	16-0065-8		Transformer Tower Box
5	06-0120-3		Nut, 3/8-16, Hex
6	06-0803-4		Screw, 3/8-16 x 1-1/2", HHC, Gr. 5
7	06-0813-3		Washer, Lock, 3/8"
8	06-0814-1		Washer, Lock, 1/2"
9	06-0824-0		Nut, 1/2-13, Hex
10	06-2418-9		Nut, 1/2-13, Lock
11	09-0838-4		Connector, 3/4", 70-80 Dia. w/Nut
12	10-1756-5		Band, Booster Trans., 10" Pipe
13	26-0760-4		Screw, 1/2-13 x 1-1/2", Hex, Gr.5
14	16-0065-9		Mount, 8-5/8", Transformer Tower
15	15-0312-0		Clamp, Saddle, 8-5/8" x 1/4"
16	06-0805-9		Screw, 1/2-13 x 2", Hex, Gr. 5
17	03-8266-3		Box, Booster Transformer
18	03-8267-1		Panel, Junction, Booster Transformer