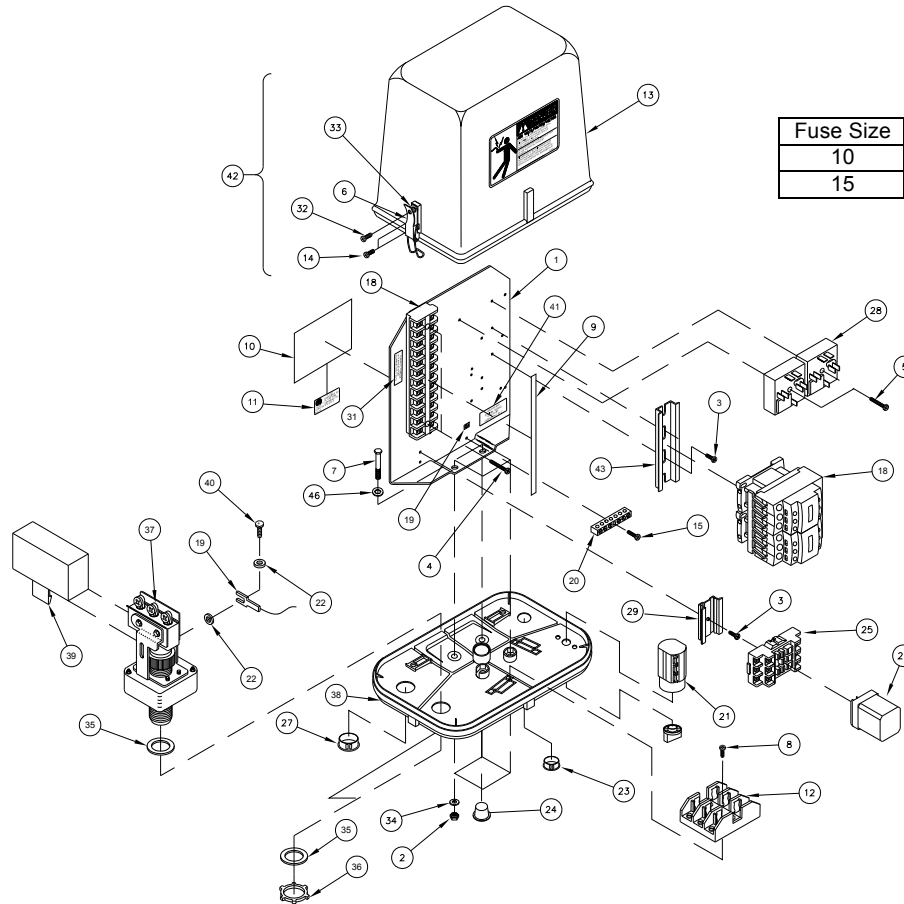




# Tower Panels

## Booster Pump Control Panel, 03-7760-6



Fuse Size	GPM	L/M
10	130	492
15	200	757

Ref.	Original Part No.	Substitute Part No.	Description
1	03-4017-4		Plate, Starter Mount
2	06-0822-4		Nut, 5/16"-18, Hex
3	06-0847-1		Screw,#8-32 x 3/8", Ph Pn Hd,#23
4	06-0850-5		Screw, #8-32 x 1", Ph. Pn. Hd, #23
5	11-5243-8		Screw,6-20 x 1-1/4",Ph.Pn.Hd, #23
6	06-4822-0		Latch, Pull-Down, 3 Hole
7	06-3146-5		Screw, 5/16-18 x 1-1/2", Hex, Gr. 5
8	06-2520-2		Screw, #6-32 x 1/2",Ph.Pan Hd,#23
9	06-3711-6		Decal, Term. Mkr, Boost.Pump Pnl
10	06-4174-6		Decal,Namepl.,Boost.Pump Ctr Pnl
11	11-7960-5		Decal, ETL
12	09-8923-6		Fuseholder, 600V, 30A, 3 Pole
13	06-4208-2		Shield, Tower Box, Gray,480 Decal
14	06-4234-8		Screw,#6-20 x 3/8",Ph Pn Hd,#25
15	06-4553-1		Screw,#8-32 x 3/4",Ph. Pn. Hd.,#23
16	11-8921-0		Contactora,3P REV,MI w/AUX
17	11-7357-4		Decal, P.E., Ground Symbol
18	09-7602-7		Block,Term.,12 Pt.,#CR151B26AF
19	09-7608-4		Term, Wire, B, #16-14, Spade 8,Ins
20	09-7631-6		Bar, Ground Terminal, 6-#14, 6-#8
21	09-8866-7		Switch, Rotary Pwr,6 PST,10 AMP
22	06-3432-9		Washer, Lock, #8, I-Tooth

Ref.	Original Part No.	Substitute Part No.	Description
23	09-8986-3		Plug,Hole,Nyl.,7/8 Heyco,#DP-875
24	09-9020-0		Plug, Caplug, #9X
25	09-9182-8		Socket, 11 Blade, Square Mount
26	09-9245-3		Relay, 3 PDT, Enclosed, 120 VAC
27	09-9297-4		Plug, Hole, 1-1/8" Nylon
28	11-7941-5		Timer Assy, 5 Sec., SPDT, 10A
29	11-1788-6		Rail, Din, 2"
30	11-3530-0		Washer, Lock, 5/16", Internal Tooth
31	11-9047-0		Decal, Terminal Torque, GE
32	06-0856-2		Screw, #6-20 x 1/2",Ph.Pan Hd,#25
33	11-7429-1		Sleeve, Captive, Tower Box
34	06-0842-2		Washer, Flat, 1/4"
35	06-2158-1		Washer, Reduc.,3/4 x 1/2", Conduit
36	09-9156-2		Nut, Conduit, 1/2", Lock
37	11-3570-6		Switch, Pressure, 2-50, PSI, SPDT
38	03-7763-0		Base, Tower Box, Threaded
39	11-8080-1		Cover, Terminal, Pressure Switch
40	13-4355-0		Screw, #8-32, 1/4", Ph. Pn. Hd. #23
41	13-7555-0		Decal, Terminal Torque, Grndbar
42	03-7641-8		Shield Assy, Tower Panel, Gray
43	11-77872		Rail, Din, 4"
44	11-7489-5		Fuse, 15A, 500V, D.E.T.D.
45	16-0003-5		Fuse, 10A, 500V, D.E.T.D.