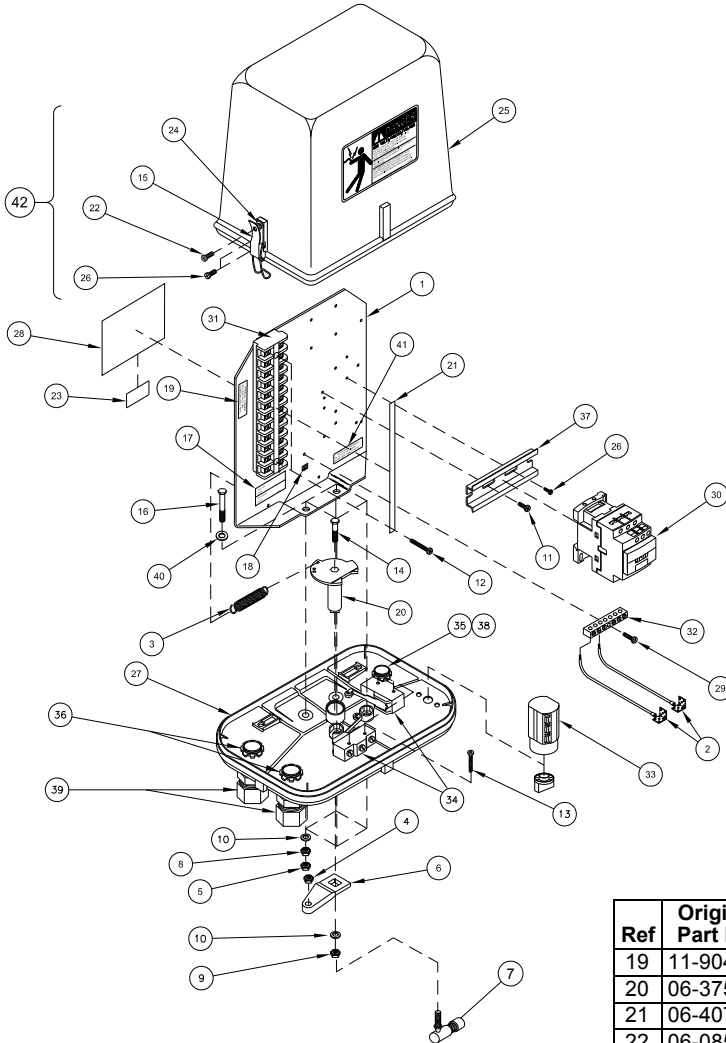


# L Tower Panels

## Tower Control Panel, Standard, 10 Wire, 03-7986-7



Ref	Original Part No.	Substitute Part No.	Description
1	03-4017-4		Plate, Starter Mount
2	03-4629-6		Termifoil Assembly
3	06-0212-8		Spring, Special, Plated, #E-41-C
4	06-0240-9		Nut, 5/16-24, Hex
5	06-0262-3		Nut, 5/16-18, Lock, Nylon Insert
6	06-0460-3		Arm, Cam, Tower Control Panel
7	06-0470-2		Joint, Ball, Quick Disconnect
8	06-0822-4		Nut, 5/16-18, Hex
9	06-4267-8		Nut, 1/4-20, Lock, Nylon Insert
10	06-0842-2		Washer, Flat, 1/4"
11	06-0847-1		Screw, #8-32 x 3/8", Ph.Pn.Hd.,#23
12	06-0850-5		Screw, #8-32 x 1", Ph.Pn.Hd.,#23
13	06-0851-3		Screw, #6-20 x 1",Ph. Pan Hd.,#25
14	11-8405-0		Screw, 1/4-20 x 1", Hex
15	06-4822-0		Latch, Pull-Down, 3 Hole
16	06-3146-5		Screw, 5/16-18 x 1-1/2", Hex, Gr. 5
17	06-3662-1		Decal, Built tested
18	11-7357-4		Decal, P.E., Ground Symbol

Ref	Original Part No.	Substitute Part No.	Description
19	11-9047-0		Decal, Terminal, Torque, GE
20	06-3751-2		Cam, Tower Panel, Plastic
21	06-4071-4		Decal,Term.Marker, Std., N-L,10W
22	06-0856-2		Screw, #6-20 x 1/2", Ph.Pn.Hd.,#25
23	11-7960-5		Decal, ETL
24	11-7429-1		Sleeve, Captive, Tower Box, CE
25	06-4208-2		Shield, Tower Box, Gray,480 Decal
26	06-4234-8		Screw, #6-20 x 3/8", Ph.Pn.Hd.,#25
27	06-4342-9		Base, Tower Control Panel, Gray
28	06-4448-4		Decal, Nameplate, Panel, Std
29	06-4553-1		Screw, #8-32 x 3/4", Ph.Pn.Hd.,#23
30	12-0743-0		Contactor, Tower, 18A,NC,NO,CE
31	09-7602-7		Block, Term, 12Pt, #CR151B26AF
32	09-7631-6		Bar, Ground Terminal, 6-#14,6-#8
33	09-8866-7		Switch,Rotary Power,6 PST,10AMP
34	16-0083-6		Switch, Micro,SPDT,15A, 120V,w/R
35	09-9156-2		Nut, Conduit, 1/2"
36	09-9161-2		Nut, Conduit, 3/4"
37	11-7787-2		Rail, DIN 4"
38	11-2835-4		Connector, 1/2" w/o Nut, .37-.5" Dia.
39	11-2836-2		Connector, 3/4 w/o Nut, .6-.7" Dia.
40	11-3530-0		Washer, Lock, 5/16", Internal Tooth
41	13-7555-0		Decal, Terminal Torque, Groundbar
42	03-7641-8		Shield Assy, Tower Panel, Gray