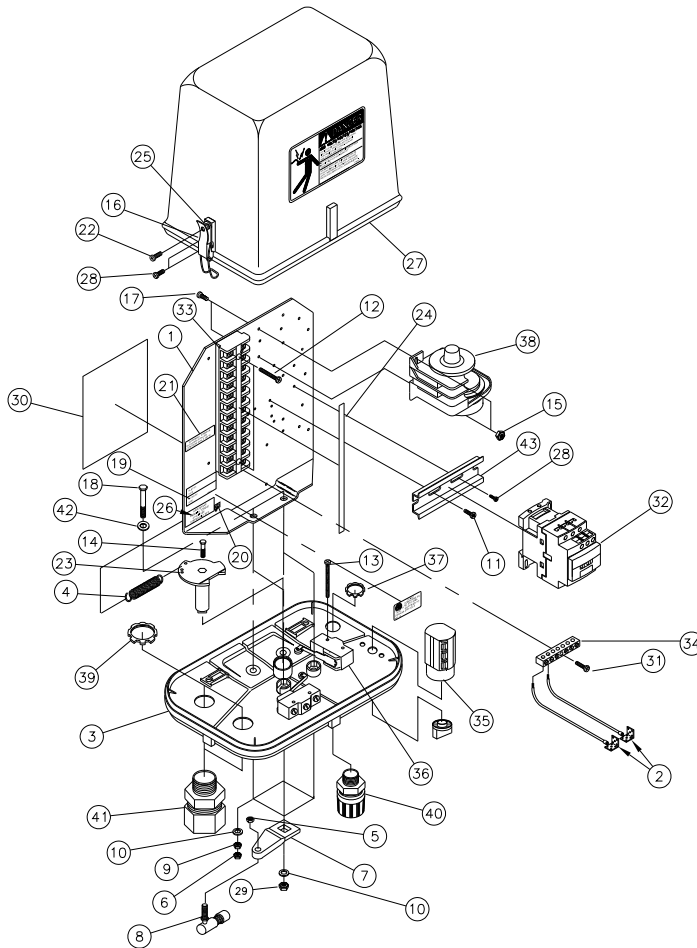




Tower Panels

Tower Control Panel, Standard, 10 Wire, 03-8269-7



Ref.	Original Part No.	Substitute Part No.	Description	Ref.	Original Part No.	Substitute Part No.	Description
1	03-4017-4		Plate, Starter Mount	22	06-0856-2		Screw, #6-20 x 1/2", Ph. Pn. Hd #25
2	03-4629-6		Termifoil Assembly	23	06-3751-2		Cam, Tower Panel, Plastic
3	03-8270-5		Base, Gun Sequencing, Cont. Box	24	06-4071-4		Decal, Term.Mrk,STD4N-L, 1- Wire
4	06-0212-8		Spring, Special, Plated,#E-41-C	25	11-7429-1		Sleeve, Captive, Tower Box
5	06-0240-9		Nut, 5/16-24, Hx, F594-Gr.A, SS	26	13-7555-0		Decal, Terminal Torque, Groundbar
6	06-0262-3		Nut, 5/16-18,Lock, Nylon Inst.	27	06-4208-2		Shield, Tower Box, Gray, 480 Decal
7	06-0460-3		Arm, Cam, Tower Control Box	28	06-4234-8		Screw, #6-20 x 3/8", Ph. Pn. Hd #25
8	06-0470-2		Joint, Ball, Quick Disconnect	29	06-4267-8		Nut, 1/4-20, Lock, Nyl.Ins.
9	06-0822-4		Nut, 5/16-18, Hex	30	06-4470-8		Decal, Nameplate, Twr, 10W
10	06-0842-2		Washer, Flat, 1/4"	31	06-4553-1		Screw, #8-32 x 3/4", Ph. Pn. Hd #23
11	06-0847-1		Screw,#8-32x3/8, Ph. Pn. Hd., #23	32	12-0743-0		Contact, Twr, 18A, NC,NO, CE
12	06-0850-5		Screw,#8-32 x 1", Ph. Pn. Hd., #23	33	09-7602-7		Block, Term,12Pt, #CR151B26AF
13	06-0851-3		Screw,#6-20 x 1", Ph. Pn. Hd., #25	34	09-7631-6		Bar, Ground Terminal ,6-#14, 6-#8
14	11-8405-0		Screw, 1/4-20 x 1, Hx, SS	35	09-8866-7		Switch, Rotary Power, 6 PST, 10A
15	06-2200-1		Nut, #6-32, Hx	36	16-0083-6		Switch, Micro, SPDT, 15A, 120V
16	06-4822-0		Latch, Pull Down, 3 Hole	37	09-9156-2		Nut, Conduit, 1/2", Lock
17	06-2520-2		Screw,#6-32 x 1/2", Ph. Hd., #23	38	09-9043-2		Timer, SPDT, 10 Min. Percentage
18	06-3146-5		Screw, #5/16-18 x 1-1/2", Hex,Gr. 5	39	09-9161-2		Nut, Conduit, 3/4", Lock
19	06-3662-1		Decal, Built tested	40	11-2835-4		Connector, 1/2" w/o Nut, .37-.5" Dia.
20	11-7357-4		Decal, P.E., Ground Symbol	41	11-2836-2		Connector, 3/4" w/o Nut, .6-.7" Dia.
21	11-9047-0		Decal, Terminal Torque, GE	42	11-3530-0		Washer, Lock, 5/16", Int. Tooth
				43	11-7787-2		Rail Din 4"