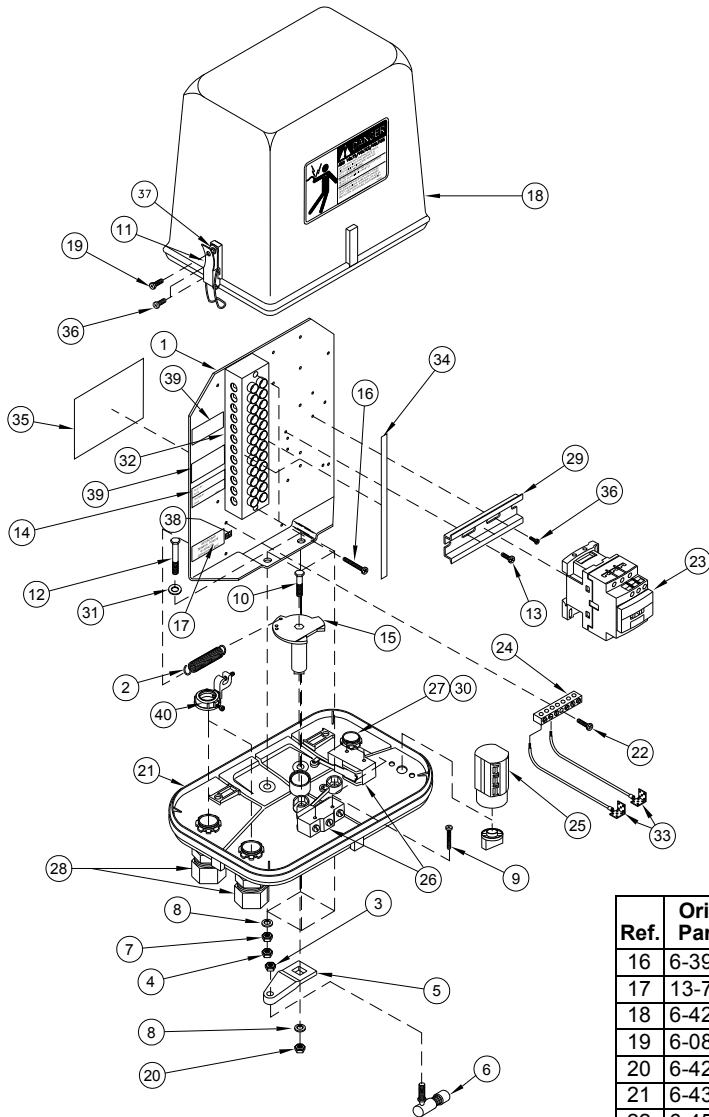




# Tower Panels

## Tower Control Panel, Standard, 11 Wire, 8 Ga., 11-7996-9



Ref.	Original Part No.	Substitute Part No.	Description
1	3-4017-4		Plate, Starter Mount
2	6-0212-8		Spring, Special, Plated, #E-41-C
3	6-0240-9		Nut, 5/16-24, Hex
4	6-0262-3		Nut, 5/16-18, Hex, F563
5	6-0460-3		Arm, Cam, Tower Control Box
6	6-0470-2		Joint, Ball, Quick Disconnect
7	6-0822-4		Nut, 5/16-18, Hex, A563
8	6-0842-2		Washer, Flat, 1/4, AW, Zinc
9	6-0851-3		Screw, #6-20 x 1, #25, Zinc
10	6-1580-7		Screw, 1/4-20 x 1, Hex, Zinc
11	6-4822-0		Latch, Pull Down, 3 Hole
12	6-3146-5		Screw, 5/16-18 x 1-1/2 Hex, Zinc
13	6-0847-1		Screw, #8-32 x 3/8", Ph, #23
14	6-3662-1		Decal, Built Tested
15	6-3751-2		Cam, Tower panel, Plastic

Ref.	Original Part No.	Substitute Part No.	Description
16	6-3909-6		Screw, #8-32 x 1-1/4, #23
17	13-7555-0		Decal Terminal Torque, Gndbar
18	6-4208-2		Shield, Tower Box, Gray, 480 Decal
19	6-0856-2		Screw, #6-20 x 1/2, #25, Zinc
20	6-4267-8		Nut, 1/4-20, Lock, Nyl.Ins, Zn
21	6-4342-9		Base, Tower Control Box, Black
22	6-4553-1		Screw, #8-32x3/4, #23, Zinc
23	12-0743-0		Contact, Twr, 18A, CE
24	9-7631-6		Bar, Ground Terminal, 6-#14, 6-#8
25	9-8866-7		Switch, Rotary Power, 6 PST, 10A
26	9-9030-9		Switch, Micro, SPDT, 15A, 120V
27	9-9156-2		Nut, Conduit, 1/2"
28	11-8102-3		Connector, 3/4" Str.Rel, 8-.9"Dia
29	11-7787-2		Rail Din 4"
30	11-2835-4		Connector, 1/2" wo/Nut .37-.5" Dia.
31	11-3530-0		Washer, Lock, 5/16", Int.Tooth
32	11-5572-0		Block, Terminal, 12PT, 8GA, CE
33	3-4629-6		Termifoil Assembly, CE
34	11-7999-3		Decal, Term.Marker, 8 Ga.
35	11-8001-7		Decal, NPLT, Tower, 8 Ga
36	6-4234-8		Screw, 6-20 x 3/8, #25
37	11-7429-1		Sleeve, Captive, Tower Box, CE
38	11-7357-4		Decal, P.E., Ground Symbol
39	11-9770-0		Decal, Terminal Torque, USD
40	12-7324-0		Bushing, Ground,Bond,3/4,14AWG