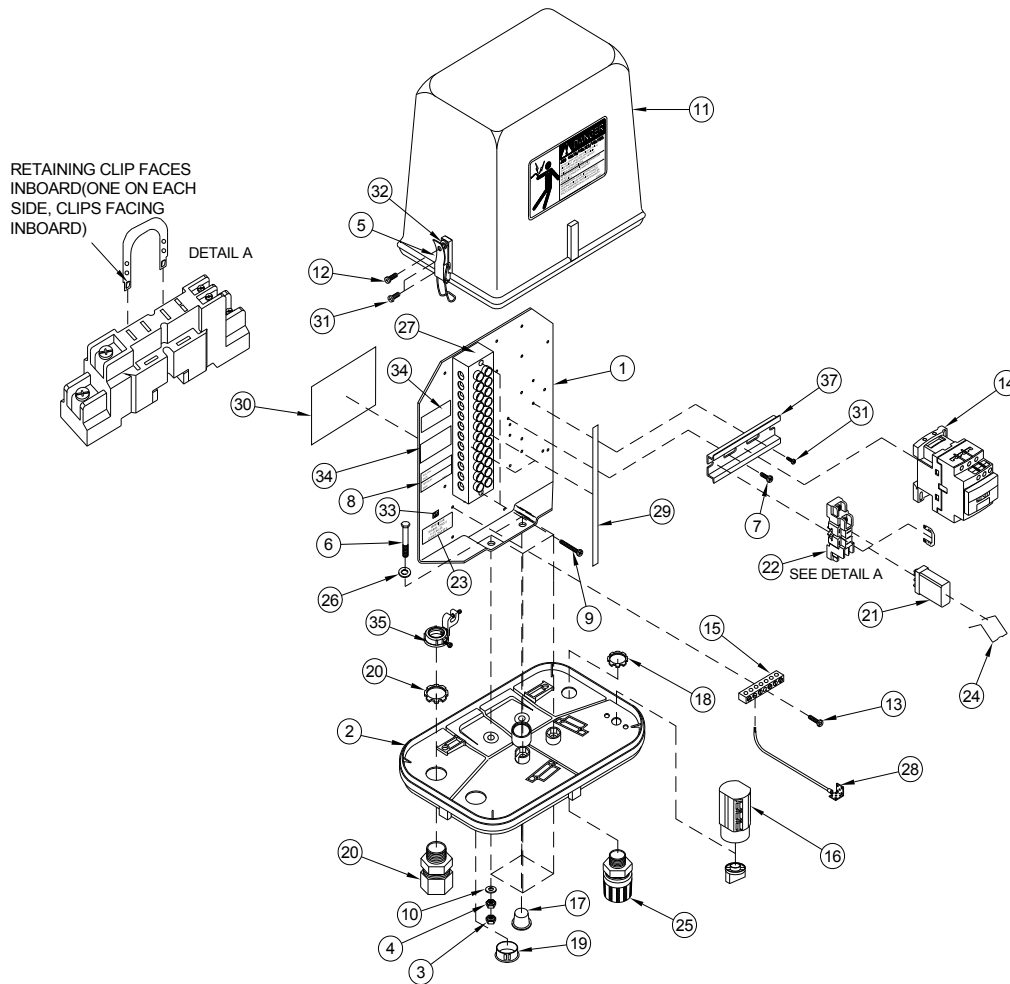




Tower Panels

Tower Control Panel, Last, 11 Wire, 8 Ga., 11-7998-5



Ref.	Original Part No.	Substitute Part No.	Description
1	3-4017-4		Plate, Starter Mount
2	3-7763-0		Base, Tower Box, Threaded
3	6-0262-3		Nut, 5/16-18, Hex, F563
4	6-0822-4		Nut, 5/16-18, Hex, A563
5	6-4822-0		Latch, Pull Down, 3 Hole
6	6-3146-5		Screw, 5/16-18 x 1-1/2 Hex
7	6-0847-1		Screw, #8-32 x 3/8, Ph, #23
8	6-3662-1		Decal, Built Tested
9	6-3909-6		Screw, #8-32 x 1-1/4, #23
10	6-0842-2		Washer, Flat, 1/4", Zinc
11	6-4208-2		Shield, Tower Box, Gray,480 Decal
12	6-0856-2		Screw, #6-20 x 1/2, #25, Zinc
13	6-4553-1		Screw, #8-32 x 3/4, #23, Zinc
14	12-0743-0		Contactors, Twr, 18A, CE
15	9-7631-6		Bar, Ground Terminal, 6-#14, 6-#8
16	9-8866-7		Switch, Rotary Power, 6 PST, 10A
17	9-9020-0		Plug, Caplug #9x
18	9-9156-2		Nut, Conduit, 1/2"

Ref.	Original Part No.	Substitute Part No.	Description
19	9-9297-4		Plug, Hole, 1-1/8", Nylon
20	11-8102-3		Connector, 3/4" Str.Rel., 8-.9"Dia
21	10-0060-3		Relay, Plug-in, Sing.PL/DBL.Thro
22	10-0061-1		Socket, Relay, Plug-in
23	13-7555-0		Decal Terminal Torque,Gndbar
24	11-1797-7		Spring, Relay Retainer, SP DT
25	11-2835-4		Connector, 1/2" wo/Nut .37-.5" Dia.
26	11-3530-0		Washer, Lock, 5/16", Int.Tooth
27	11-5572-0		Block, Terminal, 12PT, 8GA, CE
28	3-4029-6		Termifoil, Assembly, CE
29	11-8000-9		Decal, Term.Marker, LST, 8 Ga.
30	11-8003-3		Decal, NPLT, Tower Ctrl, Last, 8 Ga
31	6-4234-8		Screw, 6-20 x 3/8, #25
32	11-7429-1		Sleeve, Captive, Tower Box, CE
33	11-7357-4		Decal, P.E., Ground Symbol
34	11-9770-0		Decal, Terminal Torque, USD
35	12-7324-0		Bushing, Ground,Bond,3/4,14AWG