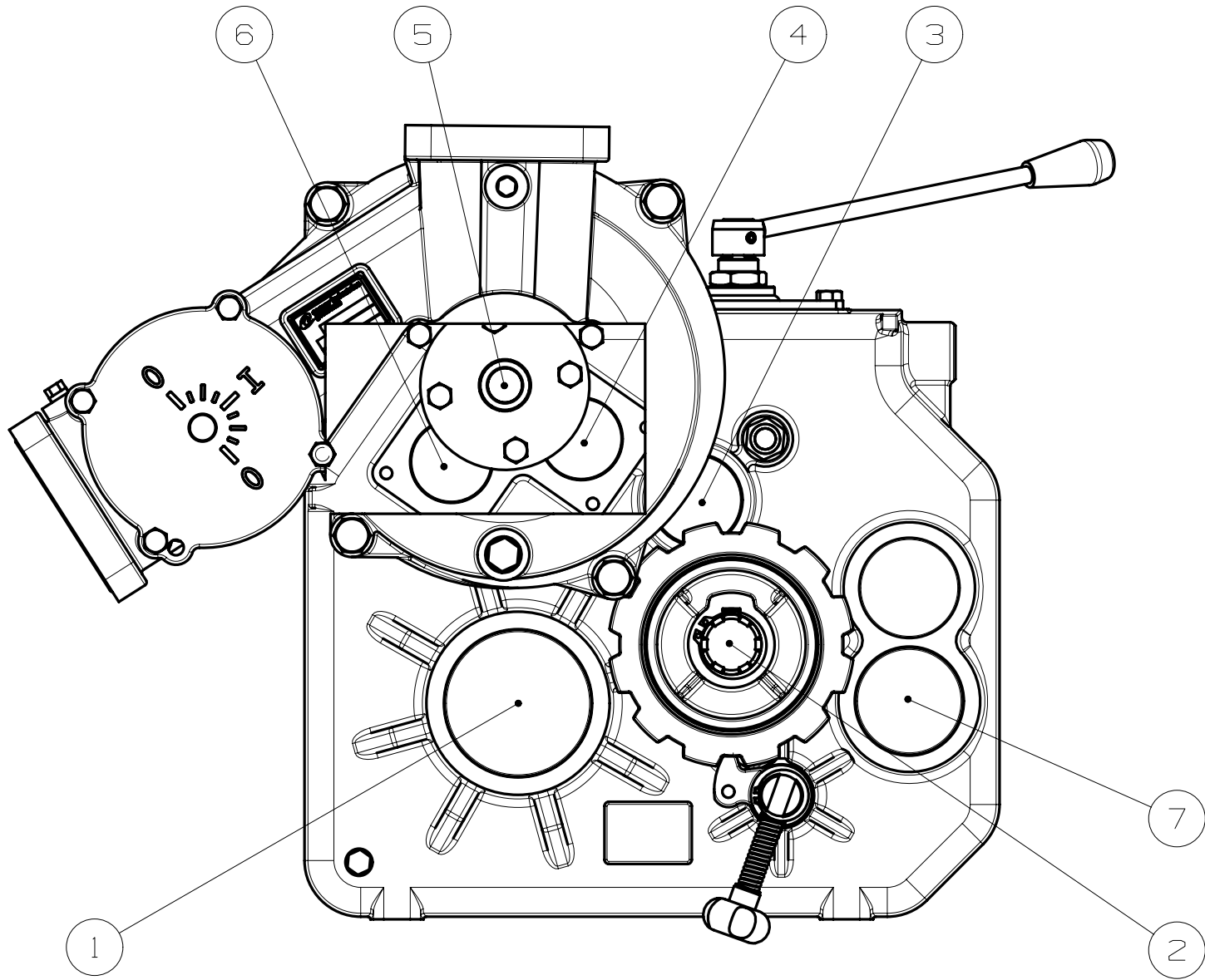


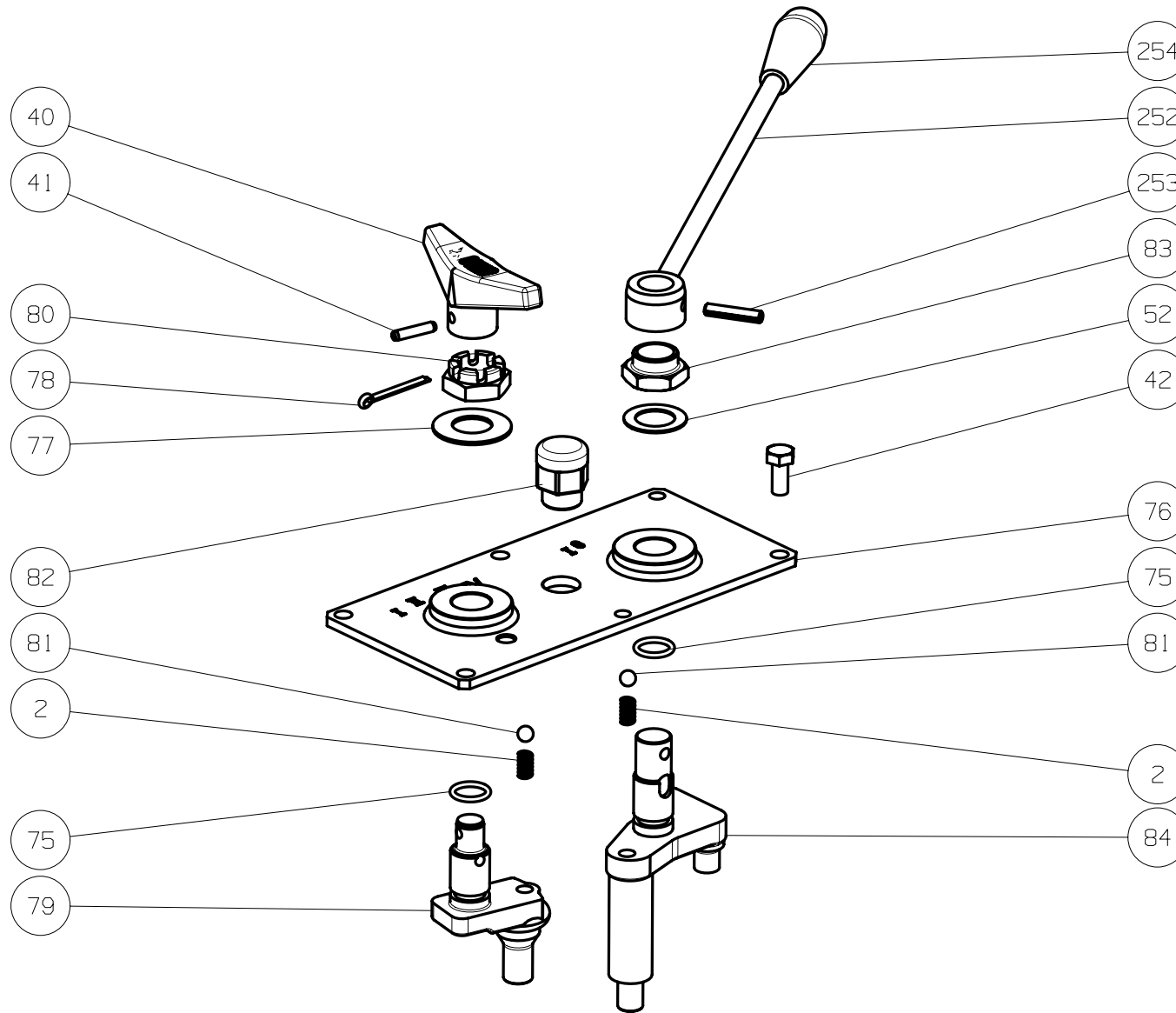
ETABLISSEMENT	REF.	REFERENCE
		DTU-742 M
	DATE	CODE
	03-01-2014	9.742.780.40

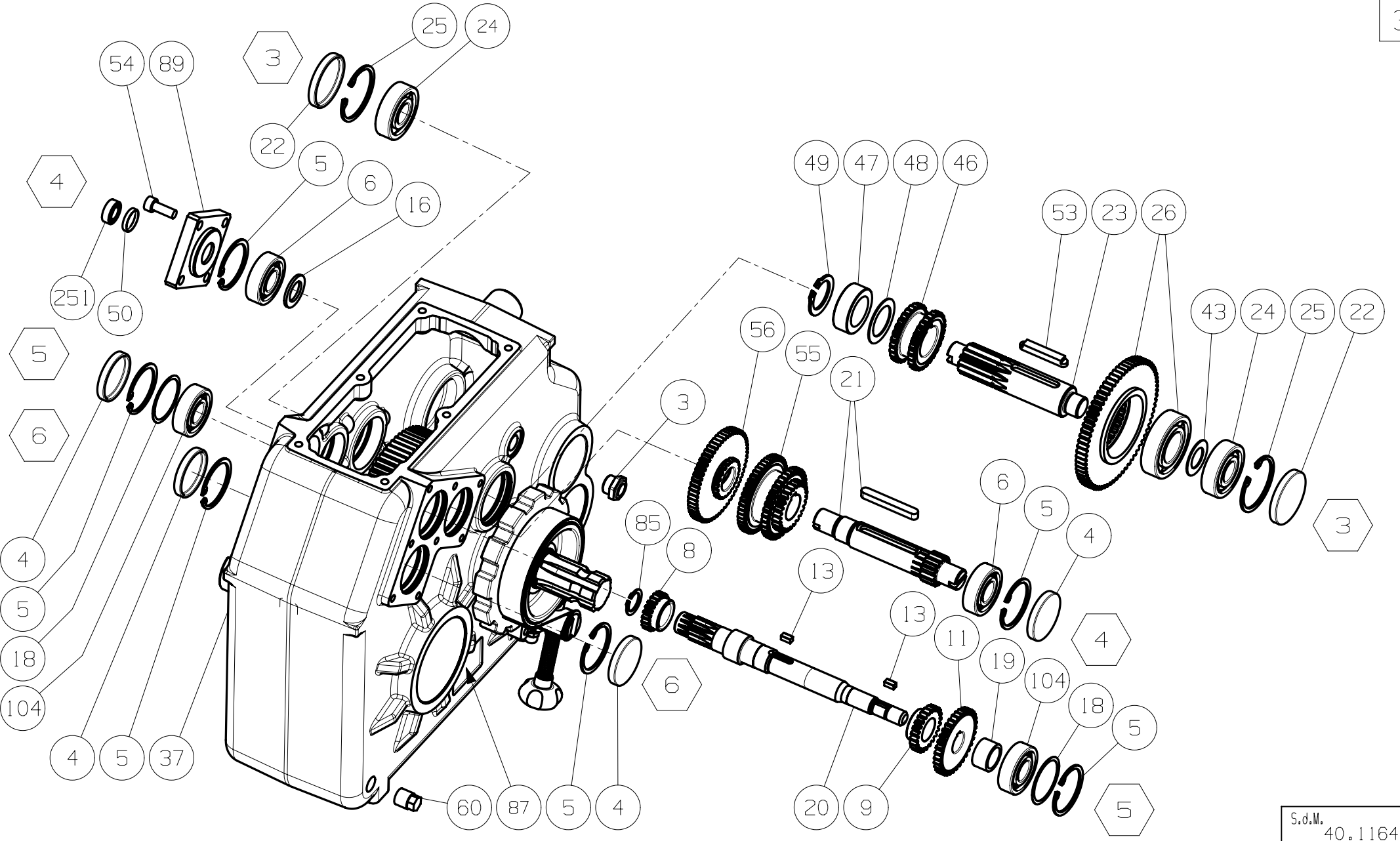


1

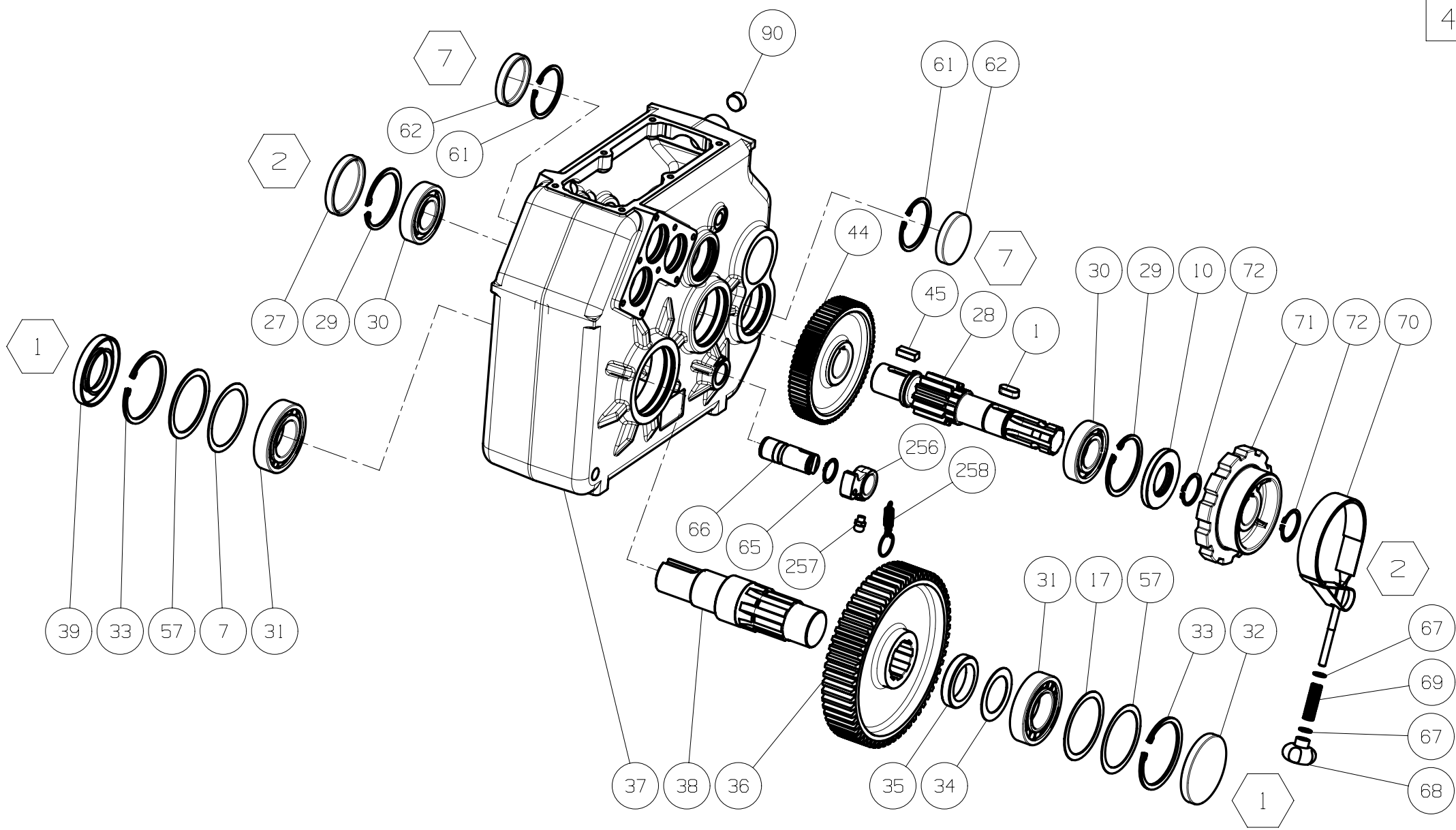
S.d.M.
40.11644

ETABLISSEMENT	REF.	REFERENCE DTU-742 M
	DATE 03-01-2014	CODE 9.742.780.40

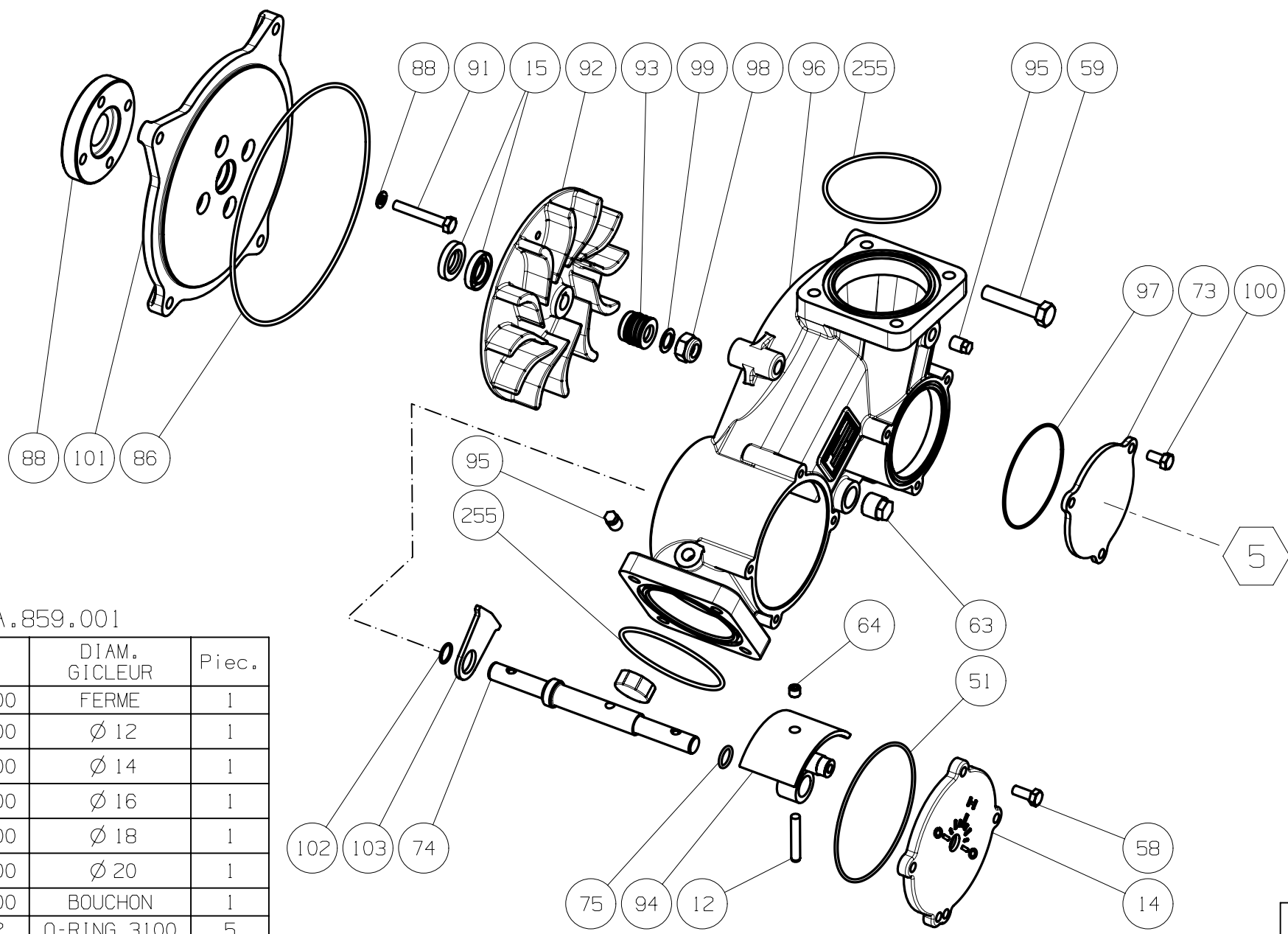




ETABLISSEMENT	REF.	REFERENCE
		DTU-742 M
DATE	CODE	
03-01-2014	9.742.780.40	



ETABLISSEMENT	REF.	REFERENCE DTU-742 M
DATE 03-01-2014	CODE	9.742.780.40



A.859.001

DEMONTEE	DIAM. GICLEUR	Piec.
0.859.7008.00	FERME	1
0.859.7003.00	Ø 12	1
0.859.7004.00	Ø 14	1
0.859.7005.00	Ø 16	1
0.859.7006.00	Ø 18	1
0.859.7007.00	Ø 20	1
1.859.7100.00	BOUCHON	1
8.7.6.02142	O-RING 3100	5

S.d.M. 40.11644

REFERENCE	BOITIER	DTU-744M	CODE	9.742.780.40
-----------	---------	----------	------	--------------

REFERENCE	BOITIER	DTU-744M	CODE	9.742.780.40
-----------	---------	----------	------	--------------

REP.	N. DU PLAN	PIEC	DESCRIPTION
1	8.4.1.00232	1	LANGUETTE A 10X8X25
2	0.721.7101.00	2	RESSORT
3	8.6.4.00273	1	TEMOIN DE NIVEAU 3/8"GASTLA2
4	8.7.0.01362	4	CAPUCHON DE FERM. 47X7
5	8.5.2.01290	6	CIRCLIPPOUR ALESAGE 47 UNI7437
6	8.0.1.00405	2	ROULEMENT 6204
7	0.709.7520.00	1	CALE 84.7X2
8	0.735.5001.00	1	PIGNON Z22 M1.5
9	0.744.5015.00	1	PIGNON Z24 M1.75
10	8.7.3.01763	1	BAGUE D'ETANCH A 35X72X8
11	0.744.6007.00	1	COURONNE Z35 M1.75
12	8.4.6.01089	1	GOUPILLE CYL. A8X50 U6364
13	8.4.1.01511	2	LANGUETTE B 5X5X10
14	0.859.1301.00	1	COUVERCLE
15	8.7.3.01744	2	BAGUE D'ETANCH A 20X35X7
16	0.104.7525.00	1	CALE 20.3x2.5
17	0.709.7510.00	1	CALE 70.3x1.0
18	0.457.7500.00	2	CALE 40.3X46.7
19	0.744.7103.00	1	ENTRETOISE
20	0.742.5010.00	1	PIGNON z12M1.5
21	2.744.5030.00	1	ARBRE-PIGNON
22	8.7.0.00693	2	CAPUCHON DE FERM. 52X7
23	0.744.5031.00	1	ARBRE-PIGNON z12 M2
24	8.0.1.00035	2	ROULEMENT 6304
25	8.5.2.00038	2	CIRCLIPPOUR ALESAGE 52 UNI7437
26	2.744.6010.00	1	ENGRENAGE 6206
27	8.7.0.00744	1	CAPUCHON DE FERM. 72X10
28	0.742.5001.00	1	ARBRE-PIGNON z12 M3.5
29	8.5.2.00131	2	CIRCLIPPOUR ALESAGE 72 UNI7437
30	8.0.1.00768	2	ROULEMENT 6207
31	8.0.6.01556	2	ROULEMENT NJ209
32	0.121.7101.00	1	CAPUCHON DE FERM.
33	8.5.2.00332	2	CIRCLIPPOUR ALESAGE 85 UNI7437
34	0.252.7510.00	1	CALE 45.3x1.0
35	0.272.7100.00	1	ENTRETOISE
36	0.742.6000.00	1	COURONNE z60 M3.5
37	0.742.0507.00	1	BOITE
38	0.742.3000.00	1	ARBRE 40
39	8.7.3.00331	1	BAGUE D'ETANCH 45X85X10
40	1.721.7002.00	1	MANCHE
41	8.4.5.00934	1	GOUPILLE ELASTIQUE 5X24DIN1481
42	8.1.1.01676	6	VIS TET.CYL.HX.IN. M8X18 8.8
43	0.742.7510.00	1	CALE 34.8X1
44	0.744.6001.00	1	COURONNE z73 M2
45	8.4.1.00992	1	LANGUETTE B 10X8X25
46	0.744.7000.00	1	DOUILLE
47	0.744.7106.00	1	ENTRETOISE
48	0.102.7510.00	1	CALE 30.3x1.0
49	8.5.1.01082	1	CIRCLIP EXTERIEUR 30 UNI7436
50	8.7.0.01343	1	CAPUCHON DE FERM. 22X4
51	8.7.6.02507	1	JOINT OR 190,36X2,62
52	0.104.7510.00	1	CALE 20.3x1.0
53	0.744.7112.00	1	LANGUETTE
54	8.1.2.01679	4	VIS TET.CYL.HX.IN. M8X22 8.8
55	2.744.5007.00	1	COURONNE ASSEMBLEE
56	0.744.6003.00	1	COURONNE z58 M1.5
57	0.709.7500.00	2	CALE 84.7
58	8.1.1.02505	4	VIS TET.CYL.HX.IN. M8x20 8.8 DCRT320
59	8.1.1.02704	4	VIS TET.CYL.HX.IN. M12x60 8.8 DCRT320
60	8.6.5.00006	1	BOUCHON 3/8"GAS
61	8.5.2.00007	2	CIRCLIPPOUR ALESAGE 62 UNI7437
62	8.7.0.00743	2	CAPUCHON DE FERM. 62X10

REP.	N. DU PLAN	PIEC	DESCRIPTION
63	8.6.5.00203	1	BOUCHON 1/2"GAS
64	8.1.9.00511	1	VIS SANS TET.HX.CR. M10X8 14,9
65	8.5.1.00004	1	CIRCLIP EXTERIEUR 25 UNI7435
66	0.743.7006.00	1	PIVOT CYLINDRIQUE
67	8.3.1.01489	6	RONDELLE EN CUI
68	8.9.1.01713	1	MOLETTE ETOILE FEM. M8
69	0.735.7103.00	1	RESSORT
70	2.744.7006.00	1	SANGLE FREIN
71	0.743.7005.00	1	TAMBOUR
72	8.5.1.00005	2	CIRCLIP EXTERIEUR 35 UNI7435
73	0.858.1304.00	1	COUVERCLE
74	0.859.7010.00	1	PIVOT
75	8.7.6.00191	3	JOINT OR OR-3062
76	2.744.1321.00	1	COUVERCLE
77	8.5.5.01316	1	RESSORT 40X20.4X1.5
78	8.4.7.00760	1	GOUPILLE B4X35
79	2.744.7002.00	1	LEVIER DE CHANG.
80	8.2.2.00997	1	ECROU A CRENEAUX M20X1,5 PR80B
81	8.5.9.00166	2	BILLE 5/16" 7,9MM
82	8.6.7.00269	1	BOUCHON DE REMPL. 1/2"GAS
83	0.744.7105.00	1	ECROU M20X1.5
84	2.744.7018.00	1	LEVIER
85	8.5.1.00261	1	CIRCLIP EXTERIEUR 20 UNI7435
86	9030.372.002	1	JOINT OR 221.84x3.53
87	0.124.7101.00	1	PLAQUETTE
88	0.742.7002.00	1	BRIDE
89	0.744.1317.00	1	COUVERCLE
90	01202.069.041	1	BOUCHON 20
91	8.1.1.01696	4	VIS TET.CYL.HX.IN. M8X55 8.8
92	0.859.7000.00	1	DOUILLE
93	8.7.5.02701	1	BAGUE D'ETANCH 16x30x17
94	0.859.7020.00	1	PLAQUE
95	8.6.5.02502	2	BOUCHON 3/8"GAS
96	0.859.0302.00	1	BOITE
97	8.7.6.02508	1	JOINT OR OR-2425
98	8.2.6.01207	1	ECROU AUTOBLOQUANT M14 H14
99	0.782.7510.00	1	CALE 22x14x1
100	8.1.1.02504	3	VIS TET.CYL.HX.IN. M8x16 8.8 DCRT320
101	0.859.1300.00	1	COUVERCLE
102	8.7.6.01554	1	JOINT OR OR-2062
103	1.859.7102.00	1	FERME POUR BOUCHON
104	8.0.1.01945	2	ROULEMENT 6204
	A.742.000		
251	8.7.3.01396	1	BAGUE D'ETANCH 8X22X7
252	01041.044.098	1	LEVIER DE CHANG.
253	8.4.5.01119	1	GOUPILLE ELASTIQUE 6X30 D7343
254	8.9.1.01339	1	MANCHE
255	8.7.6.01291	2	JOINT TORIQUE OR-4387
	A.743.003		
256	0.735.7003.00	1	CLIQUET
257	8.8.1.01397	1	GRAISSEUR M8X1.25
258	01100.245.099	1	RESSORT